

# TIMKEN

## TIMKEN® SNT PLUMMER BLOCKS

---

### Iron-clad protection for enhanced reliability

Timken® SNT metric plummer blocks deliver engineering expertise and Timken quality every step of the way.

**CAST-IRON HOUSINGS:** Durable design protects the bearing while resisting the harshest environments.

**TIMKEN® SPHERICAL ROLLER BEARINGS:** Premium performance with lower operating temperatures and increased load-carrying capacity provide longer bearing life.

**SEAL OPTIONS:** Four types of seals are available to meet your application needs. Choose from double-lip, labyrinth, V-ring or taconite designs.

**GLOBAL AVAILABILITY:** Our global distribution network makes it easy to get Timken product anywhere in the world fast.

---



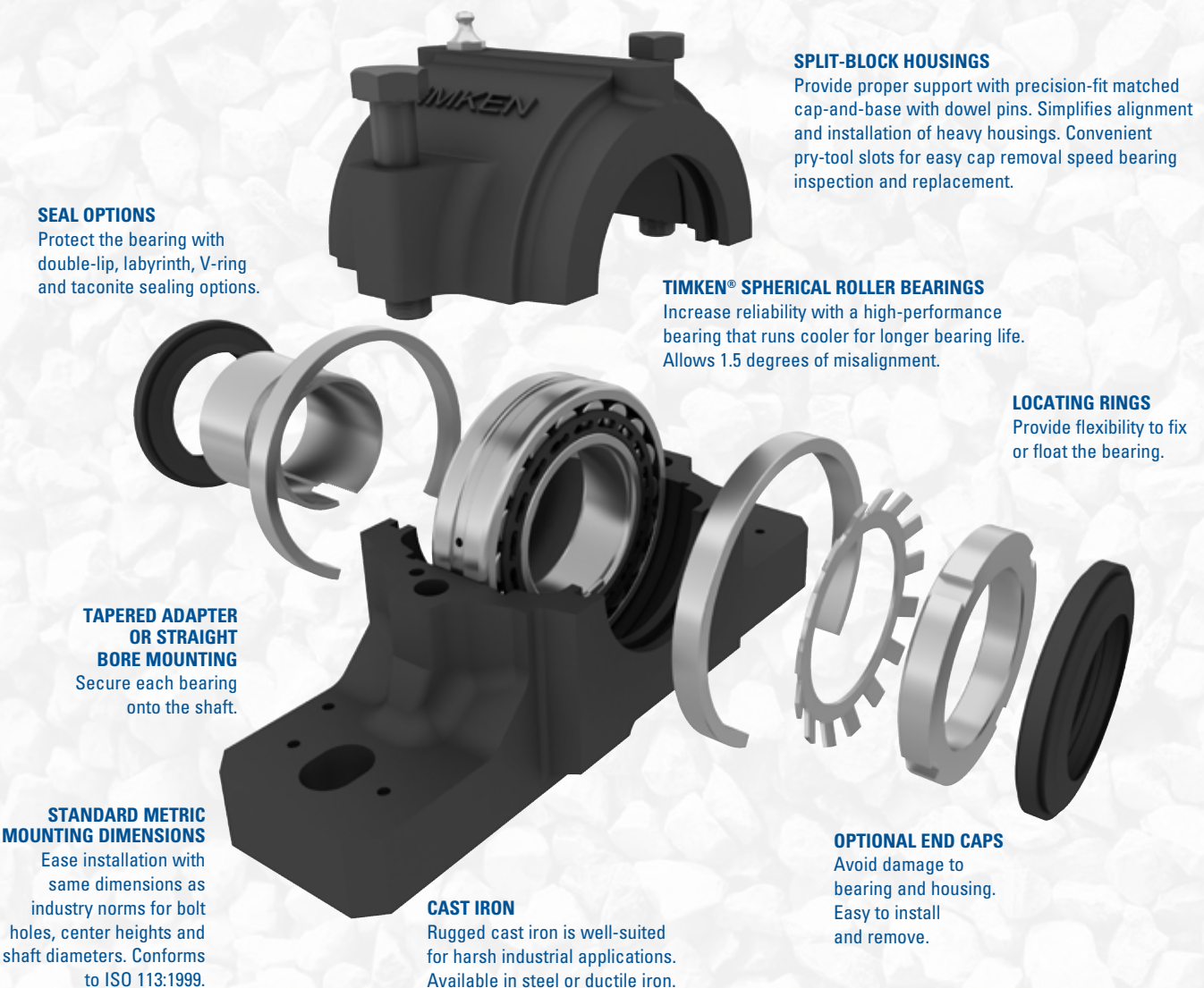
# IT'S A TOUGH WORLD OUT THERE. PROTECT YOUR BEARINGS.

*Timken® high-performance spherical roller bearings run cooler and last longer, providing longer bearing life thanks to enhanced geometries and innovative design features. Now you can get more from your bearings by protecting them with Timken® SNT plummer blocks and seals.*

*Uptime is your key to success even as you push equipment harder than ever before. Help improve efficiency and increase your return on investment with tough Timken housings and durable sealing options designed to keep contamination out and lubrication in.*

## MORE OPTIONS AND MORE PERFORMANCE FROM TIMKEN SNT BLOCKS

*Timken provides the technical expertise and broad range of product options to help engineers, contractors, maintenance professionals and others choose the optimal assemblies and components for each task. We stand ready to help you enhance your organization's productivity and safety.*



### SEAL OPTIONS

Protect the bearing with double-lip, labyrinth, V-ring and taconite sealing options.

### SPLIT-BLOCK HOUSINGS

Provide proper support with precision-fit matched cap-and-base with dowel pins. Simplifies alignment and installation of heavy housings. Convenient pry-tool slots for easy cap removal speed bearing inspection and replacement.

### TIMKEN® SPHERICAL ROLLER BEARINGS

Increase reliability with a high-performance bearing that runs cooler for longer bearing life. Allows 1.5 degrees of misalignment.

### LOCATING RINGS

Provide flexibility to fix or float the bearing.

### TAPERED ADAPTER OR STRAIGHT BORE MOUNTING

Secure each bearing onto the shaft.

### STANDARD METRIC MOUNTING DIMENSIONS

Ease installation with same dimensions as industry norms for bolt holes, center heights and shaft diameters. Conforms to ISO 113:1999.

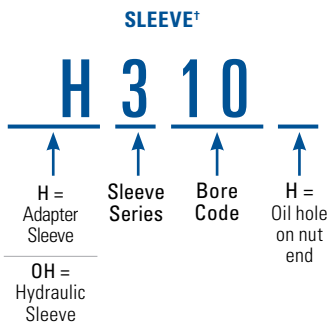
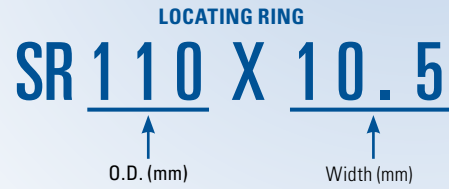
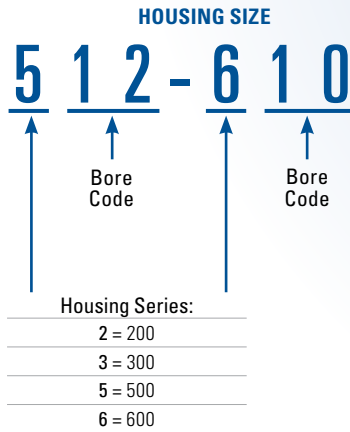
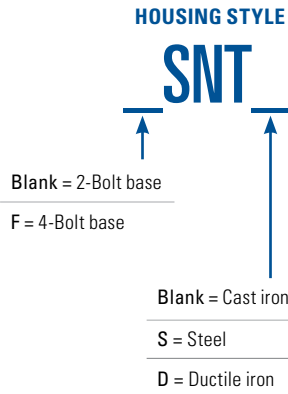
### CAST IRON

Rugged cast iron is well-suited for harsh industrial applications. Available in steel or ductile iron.

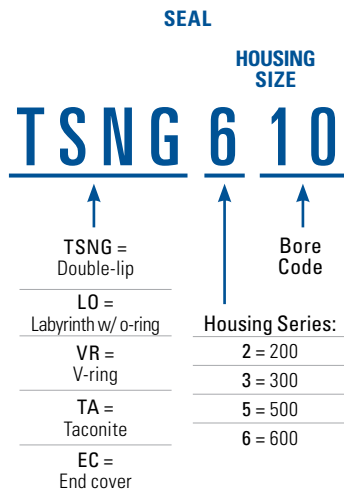
### OPTIONAL END CAPS

Avoid damage to bearing and housing. Easy to install and remove.

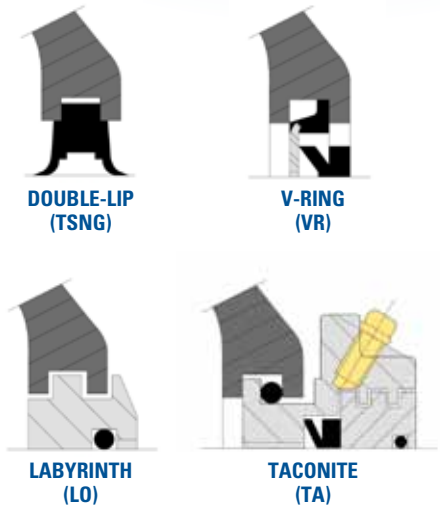
# SNT NOMENCLATURE



\*Assembly contains adapter sleeve, locknut and lockwasher



## SEAL OPTIONS



## FLEXIBLE CONFIGURATIONS

Timken SNT plummer blocks provide options to meet all of your needs. Depending on the accessories you choose, a single housing can be used with multiple bearings, in fixed or float positions, and open or closed end caps.

### SNT 512-610



### TAPERED BORE BEARING EXAMPLE

**BEARING:** 21310K  
**LOCATING RINGS:** SR110X10.5  
**SLEEVE:** H310

**SEAL OPTIONS**  
**DOUBLE-LIP:** TSNG610  
**LOR:** LO610  
**V-RING:** VR610  
**TACONITE:** TA610  
**END COVER:** EC512-610

**BEARING:** 22310K  
**LOCATING RINGS:** SR110X4  
**SLEEVE:** H2310

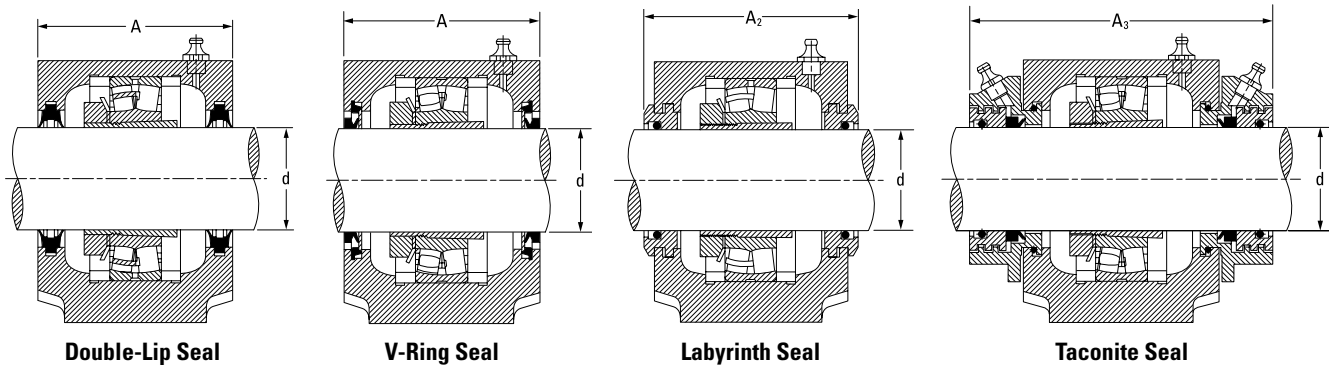
**SEAL OPTIONS**  
**DOUBLE-LIP:** TSNG610  
**LOR:** LO610  
**V-RING:** VR610  
**TACONITE:** TA610  
**END COVER:** EC512-610

**BEARING:** 22212K  
**LOCATING RINGS:** SR110X10  
**SLEEVE:** H312

**SEAL OPTIONS**  
**DOUBLE-LIP:** TSNG512  
**LOR:** LO512  
**V-RING:** VR512  
**TACONITE:** TA512  
**END COVER:** EC512-610

# TWO-BOLT SNT HOUSINGS FOR TAPERED BORE BEARINGS

- The basic numbers for ordering plummer block housings and components are listed in the table below.
- Each housing includes the housing cap, base and cap bolts.
- Housings shown are furnished in cast iron. If cast steel is desired, add the letter S to the alpha prefix (e.g., SNTS 518). If ductile iron is desired, add the letter D to the alpha prefix (e.g., SNTD 505).



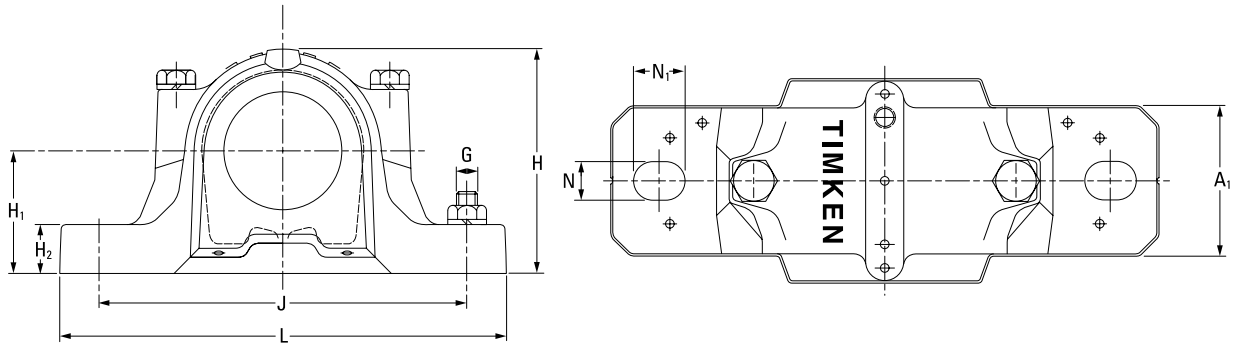
Shaft Dia.	Housing	Bearing	Locating Rings <sup>(1)</sup>	Adapter Sleeve <sup>(2)</sup>	Locknut <sup>(3)</sup>	Lockwasher <sup>(3)</sup>	Double-Lip Seal <sup>(4)</sup>	V-Ring Seal <sup>(4)</sup>	Labyrinth Seal <sup>(3)</sup>	Taconite Seal <sup>(3)</sup>	End Cover <sup>(3)</sup>
d			O.D. x Width								
mm											
20	SNT 505	22205K	SR52X3.5	H305	KM5	MB5	–	VR505	LO505	TA505	EC505
	SNT 506-605	21305K	SR62X7.5	H305	KM5	MB5	TSNG605	VR605	LO605	TA605	EC506-605
25	SNT 506-605	22206K	SR62X6	H306	KM6	MB6	–	VR506	LO506	TA506	EC506-605
	SNT 507-606	21306K	SR72X7.5	H306	KM6	MB6	TSNG606	VR606	LO606	TA606	EC507-606
30	SNT 507-606	22207K	SR72X5.5	H307	KM7	MB7	TSNG507	VR507	LO507	TA507	EC507-606
	SNT 508-607	21307K	SR80X9	H307	KM7	MB7	TSNG607	VR607	LO607	TA607	EC508-607
35	SNT 508-607	22208K	SR80X8	H308	KM8	MB8	TSNG508	VR508	LO508	TA508	EC508-607
	SNT 510-608	21308K	SR90X9	H308	KM8	MB8	TSNG608	VR608	LO608	TA608	EC510-608
	SNT 510-608	22308K	SR90X4	H2308	KM8	MB8	TSNG608	VR608	LO608	TA608	EC510-608
40	SNT 509	22209K	SR85X3.5	H309	KM9	MB9	TSNG509	VR509	LO509	TA509	EC509
	SNT 511-609	21309K	SR100X9.5	H309	KM9	MB9	TSNG609	VR609	LO609	TA609	EC511-609
	SNT 511-609	22309K	SR100X4	H2309	KM9	MB9	TSNG609	VR609	LO609	TA609	EC511-609
45	SNT 510-608	22210K	SR90X9	H310	KM10	MB10	TSNG510	VR510	LO510	TA510	EC510-608
	SNT 512-610	21310K	SR110X10.5	H310	KM10	MB10	TSNG610	VR610	LO610	TA610	EC512-610
	SNT 512-610	22310K	SR110X4	H2310	KM10	MB10	TSNG610	VR610	LO610	TA610	EC512-610
50	SNT 511-609	22211K	SR100X9.5	H311	KM11	MB11	TSNG511	VR511	LO511	TA511	EC511-609
	SNT 513-611	21311K	SR120X11	H311	KM11	MB11	TSNG611	VR611	LO611	TA611	EC513-611
	SNT 513-611	22311K	SR120X4	H2311	KM11	MB11	TSNG611	VR611	LO611	TA611	EC513-611
55	SNT 512-610	22212K	SR110X10	H312	KM12	MB12	TSNG512	VR512	LO512	TA512	EC512-610
	SNT 515-612	21312K	SR130X12.5	H312	KM12	MB12	TSNG612	VR612	LO612	TA612	EC515-612
	SNT 515-612	22312K	SR130X5	H2312	KM12	MB12	TSNG612	VR612	LO612	TA612	EC515-612
60	SNT 513-611	22213K	SR120X10	H313	KM13	MB13	TSNG513	VR513	LO513	TA513	EC513-611
	SNT 516-613	21313K	SR140X12.5	H313	KM13	MB13	TSNG613	VR613	LO613	TA613	EC516-613
	SNT 516-613	22313K	SR140X5	H2313	KM13	MB13	TSNG613	VR613	LO613	TA613	EC516-613

<sup>(1)</sup>Locating rings = minimum two required for fixed position, sold one piece per box.

<sup>(2)</sup>Adapter sleeve assembly includes one sleeve, one locknut and one lockwasher.

<sup>(3)</sup>Labyrinth, taconite seal, end cover, locknut, lockwasher, sold one piece per box.

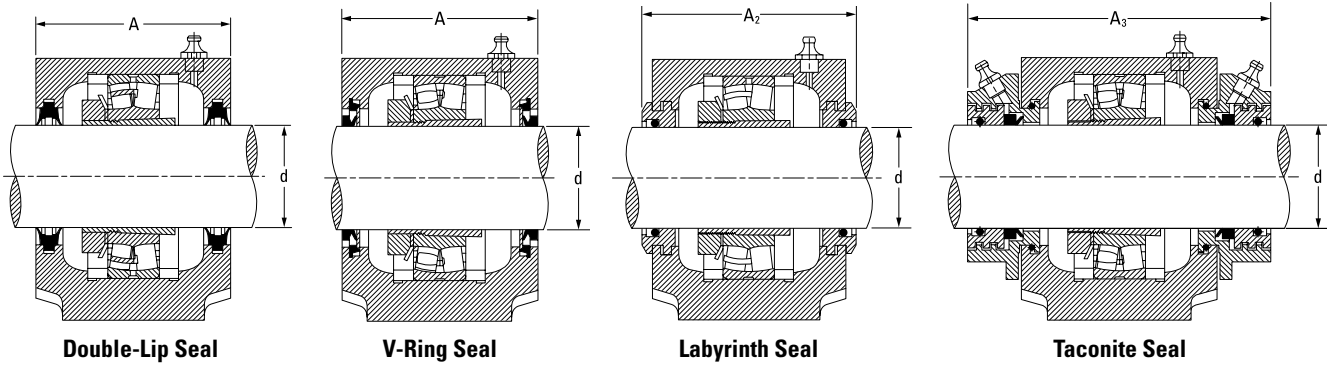
<sup>(4)</sup>Double-lip and V-ring seals sold two pieces per box.



Housing Dimensions													2 Bolts Req'd	Housing Mass
A	A <sub>1</sub>	A <sub>2</sub>	A <sub>3</sub>	H	H <sub>1</sub>	H <sub>2</sub>	J min	J	J max	L	N	N <sub>1</sub>	G	kg
mm	mm	mm	mm	mm	mm	mm	mm	mm	mm	mm	mm	mm	mm	kg
67	46	80	130	74	40	19	123	130	137	165	15	20	12	1.5
77	52	89	135	89	50	22	143	150	157	185	15	20	12	2.0
77	52	89	135	89	50	22	143	150	157	185	15	20	12	2.0
82	52	94	140	93	50	22	143	150	157	185	15	20	12	2.2
82	52	94	140	93	50	22	143	150	157	185	15	20	12	2.2
85	60	97	145	108	60	25	165	170	175	205	15	20	12	2.9
85	60	97	145	108	60	25	165	170	175	205	15	20	12	2.9
90	60	102	150	113	60	25	165	170	175	205	15	20	12	3.2
90	60	102	150	113	60	25	165	170	175	205	15	20	12	3.2
85	60	97	150	109	60	25	165	170	175	205	15	20	12	2.9
95	70	107	155	128	70	28	205	210	215	255	18	24	16	4.5
95	70	107	155	128	70	28	205	210	215	255	18	24	16	4.5
90	60	102	150	113	60	25	165	170	175	205	15	20	12	3.2
105	70	117	165	134	70	30	205	210	215	255	18	24	16	5.3
105	70	117	165	134	70	30	205	210	215	255	18	24	16	5.3
95	70	107	155	128	70	28	205	210	215	255	18	24	16	4.5
110	80	122	170	150	80	30	224	230	236	275	18	24	16	6.6
110	80	122	170	150	80	30	224	230	236	275	18	24	16	6.6
105	70	117	165	134	70	30	205	210	215	255	18	24	16	5.3
115	80	127	175	156	80	30	222	230	238	280	18	24	16	6.9
115	80	127	175	156	80	30	222	230	238	280	18	24	16	6.9
110	80	122	170	150	80	30	224	230	236	275	18	24	16	6.6
120	90	138	180	177	95	32	252	260	268	315	22	28	20	9.7
120	90	138	180	177	95	32	252	260	268	315	22	28	20	9.7

Continued on next page.

# TWO-BOLT SNT HOUSINGS FOR TAPERED BORE BEARINGS (CONTINUED)



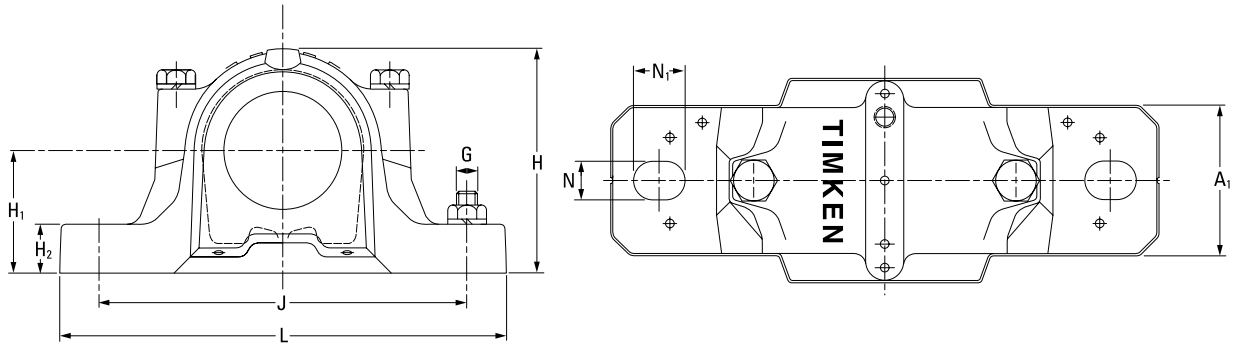
Shaft Dia.	Housing	Bearing	Locating Rings <sup>(1)</sup>	Adapter Sleeve <sup>(2)</sup>	Locknut <sup>(3)</sup>	Lockwasher <sup>(3)</sup>	Double-Lip Seal <sup>(4)</sup>	V-Ring Seal <sup>(4)</sup>	Labyrinth Seal <sup>(3)</sup>	Taconite Seal <sup>(3)</sup>	End Cover <sup>(3)</sup>
d			O.D. x Width								
mm											
65	SNT 515-612	22215K	SR130X12.5	H315	KM15	MB15	TSNG515	VR515	L0515	TA515	EC515-612
	SNT 518-615	21315K	SR160X14	H315	KM15	MB15	TSNG615	VR615	L0615	TA615	EC518-615
	SNT 518-615	22315K	SR160X5	H2315	KM15	MB15	TSNG615	VR615	L0615	TA615	EC518-615
70	SNT 516-613	22216K	SR140X12.5	H316	KM16	MB16	TSNG516	VR516	L0516	TA516	EC516-613
	SNT 519-616	21316K	SR170X14.5	H316	KM16	MB16	TSNG616	VR616	L0616	TA616	EC519-616
	SNT 519-616	22316K	SR170X5	H2316	KM16	MB16	TSNG616	VR616	L0616	TA616	EC519-616
75	SNT 517	22217K	SR150X12.5	H317	KM17	MB17	TSNG517	VR517	L0517	TA517	EC517
	SNT 520-617	21317K	SR180X14.5	H317	KM17	MB17	TSNG617	VR617	L0617	TA617	EC520-617
	SNT 520-617	22317K	SR180X5	H2317	KM17	MB17	TSNG617	VR617	L0617	TA617	EC520-617
80	SNT 518-615	22218K	SR160X12.5	H318	KM18	MB18	TSNG518	VR518	L0518	TA518	EC518-615
	SNT 518-615	23218K	SR160X6.25	H2318	KM18	MB18	TSNG518	VR518	L0518	TA518	EC518-615
85	SNT 519-616	22219K	SR170X12.5	H319	KM19	MB19	TSNG519	VR519	L0519	TA519	EC519-616
	SNT 522-619	21319K	SR200X17.5	H319	KM19	MB19	TSNG619	VR619	L0619	TA619	EC522-619
	SNT 522-619	22319K	SR200X6.5	H2319	KM19	MB19	TSNG619	VR619	L0619	TA619	EC522-619
90	SNT 520-617	22220K	SR180X12	H320	KM20	MB20	TSNG520	VR520	L0520	TA520	EC520-617
	SNT 520-617	23220K	SR180X4.85	H2320	KM20	MB20	TSNG520	VR520	L0520	TA520	EC520-617
	SNT 524-620	21320K	SR215X19.5	H2320	KM20	MB20	TSNG620	VR620	L0620	TA620	EC524-620
	SNT 524-620	22320K	SR215X6.5	H2320	KM20	MB20	TSNG620	VR620	L0620	TA620	EC524-620
100	SNT 522-619	22222K	SR200X13.5	H322	KM22	MB22	TSNG522	VR522	L0522	TA522	EC522-619
	SNT 522-619	23222K	SR200X5.1	H2322	KM22	MB22	TSNG522	VR522	L0522	TA522	EC522-619
110	SNT 524-620	22224K	SR215X14	H3124	KM24	MB24	TSNG524	VR524	L0524	TA524	EC524-620
	SNT 524-620	23224K	SR215X5	H2324	KM24	MB24	TSNG524	VR524	L0524	TA524	EC524-620
115	SNT 526	22226K	SR230X13	H3126	KM26	MB26	TSNG526	VR526	L0526	TA526	EC526
	SNT 526	23226K	SR230X5	H2326	KM26	MB26	TSNG526	VR526	L0526	TA526	EC526
125	SNT 528	22228K	SR250X15	H3128	KM28	MB28	TSNG528	VR528	L0528	TA528	EC528
	SNT 528	23228K	SR250X5	H2328	KM28	MB28	TSNG528	VR528	L0528	TA528	EC528
135	SNT 530	22230K	SR270X16.5	H3130	KM30	MB30	TSNG530	VR530	L0530	TA530	EC530
	SNT 530	23230K	SR270X5	H2330	KM30	MB30	TSNG530	VR530	L0530	TA530	EC530
140	SNT 532	22232K	SR290X17	H3132	KM32	MB32	TSNG532	VR532	L0532	TA532	EC532
	SNT 532	23232K	SR290X5	H2332	KM32	MB32	TSNG532	VR532	L0532	TA532	EC532

<sup>(1)</sup>Locating rings = minimum two required for fixed position, sold one piece per box.

<sup>(2)</sup>Adapter sleeve assembly includes one sleeve, one locknut and one lockwasher.

<sup>(3)</sup>Labyrinth, taconite seal, end cover, locknut, lockwasher, sold one piece per box.

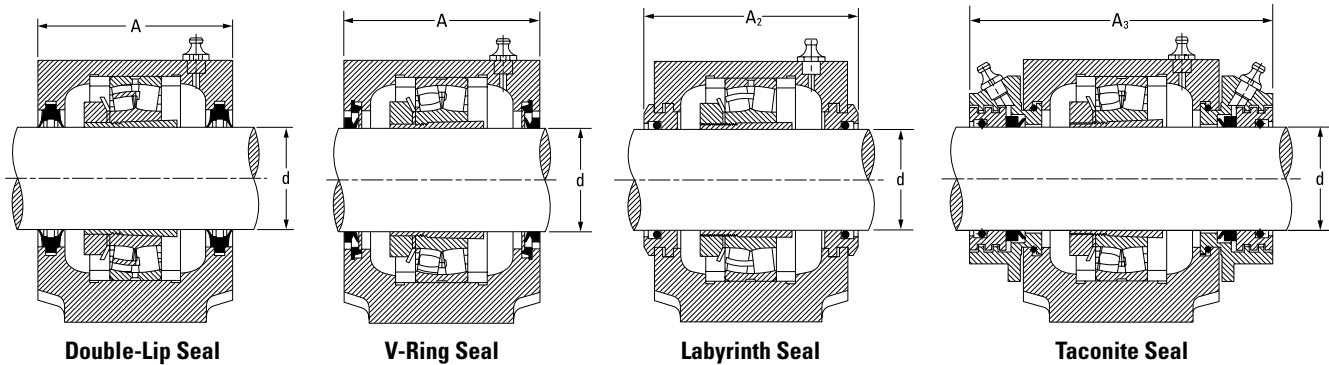
<sup>(4)</sup>Double-lip and V-ring seals sold two pieces per box.



Housing Dimensions													2 Bolts Req'd	Housing Mass
A	A <sub>1</sub>	A <sub>2</sub>	A <sub>3</sub>	H	H <sub>1</sub>	H <sub>2</sub>	J min	J	J max	L	N	N <sub>1</sub>	G	
115	80	127	175	156	80	30	222	230	238	280	18	24	16	6.9
140	100	158	225	194	100	35	285	290	295	345	22	28	20	13.1
140	100	158	225	194	100	35	285	290	295	345	22	28	20	13.1
120	90	138	180	177	95	32	252	260	268	315	22	28	20	9.7
145	100	163	220	212	112	35	285	290	295	345	22	28	20	14.0
145	100	163	220	212	112	35	285	290	295	345	22	28	20	14.0
125	90	143	210	183	95	32	252	260	268	320	22	28	20	10.4
160	110	178	235	218	112	40	314	320	326	380	26	32	24	17.6
160	110	178	235	218	112	40	314	320	326	380	26	32	24	17.6
140	100	158	225	194	100	35	285	290	295	345	22	28	20	13.1
140	100	158	225	194	100	35	285	290	295	345	22	28	20	13.1
145	100	163	220	212	112	35	285	290	295	345	22	28	20	14.0
175	120	191	250	242	125	45	356	344	350	410	32	26	24	22.3
175	120	191	250	242	125	45	344	350	356	410	26	32	24	22.3
160	110	178	235	218	112	40	314	320	326	380	26	32	24	17.6
160	110	178	235	218	112	40	314	320	326	380	26	32	24	17.6
185	120	199	260	271	140	45	344	350	356	410	26	32	24	26.5
185	120	199	260	271	140	45	344	350	356	410	26	32	24	26.5
175	120	191	250	242	125	45	344	350	356	410	26	32	24	22.3
175	120	191	250	242	125	45	344	350	356	410	26	32	24	22.3
185	120	199	260	271	140	45	344	350	356	410	26	32	24	26.5
185	120	199	260	271	140	45	344	350	356	410	26	32	24	26.5
190	130	208	265	290	150	50	373	380	387	445	28	35	24	34.0
190	130	208	265	290	150	50	373	380	387	445	28	35	24	34.0
205	150	223	285	302	150	50	413	420	427	500	35	42	30	39.0
205	150	223	285	302	150	50	413	420	427	500	35	42	30	39.0
220	160	241	295	323	160	60	443	450	457	530	35	42	30	48.0
220	160	241	295	323	160	60	443	450	457	530	35	42	30	48.0
235	160	254	315	344	170	60	463	470	477	550	35	42	30	54.5
235	160	254	315	344	170	60	463	470	477	550	35	42	30	54.5

# FOUR-BOLT FSNT HOUSINGS FOR TAPERED BORE BEARINGS

- The basic numbers for ordering plummer block housings and components are listed in the table below.
- Each housing includes the housing cap, base and cap bolts.
- Assemblies shown are furnished in cast iron. If cast steel is desired, add the letter S to the alpha prefix (e.g., FSNTS 518). If ductile iron is desired, add the letter D to the alpha prefix (e.g., FSNTD 505).



Shaft Dia. d	Housing	Bearing	Locating Rings <sup>(1)</sup> O.D. x Width	Adapter Sleeve <sup>(2)</sup>	Locknut <sup>(3)</sup>	Lockwasher <sup>(3)</sup>	Double-Lip Seal <sup>(4)</sup>	V-Ring Seal <sup>(4)</sup>	Labyrinth Seal <sup>(3)</sup>	Taconite Seal <sup>(3)</sup>	End Cover <sup>(3)</sup>
mm											
40	FSNT 511-609	21309K	SR100X9.5	H309	KM9	MB9	TSNG609	VR609	LO609	TA609	EC511-609
	FSNT 511-609	22309K	SR100X4	H2309	KM9	MB9	TSNG609	VR609	LO609	TA609	EC511-609
45	FSNT 512-610	21310K	SR110X10.5	H310	KM10	MB10	TSNG610	VR610	LO610	TA610	EC512-610
	FSNT 512-610	22310K	SR110X4	H2310	KM10	MB10	TSNG610	VR610	LO610	TA610	EC512-610
50	FSNT 511-609	22211K	SR100X9.5	H311	KM11	MB11	TSNG511	VR511	LO511	TA511	EC511-609
	FSNT 513-611	21311K	SR120X11	H311	KM11	MB11	TSNG611	VR611	LO611	TA611	EC513-611
	FSNT 513-611	22311K	SR120X4	H2311	KM11	MB11	TSNG611	VR611	LO611	TA611	EC513-611
55	FSNT 512-610	22212K	SR110X10	H312	KM12	MB12	TSNG512	VR512	LO512	TA512	EC512-610
	FSNT 515-612	21312K	SR130X12.5	H312	KM12	MB12	TSNG612	VR612	LO612	TA612	EC515-612
	FSNT 515-612	22312K	SR130X5	H2312	KM12	MB12	TSNG612	VR612	LO612	TA612	EC515-612
60	FSNT 513-611	22213K	SR120X10	H313	KM13	MB13	TSNG513	VR513	LO513	TA513	EC513-611
	FSNT 516-613	21313K	SR140X12.5	H313	KM13	MB13	TSNG613	VR613	LO613	TA613	EC516-613
	FSNT 516-613	22313K	SR140X5	H2313	KM13	MB13	TSNG613	VR613	LO613	TA613	EC516-613
65	FSNT 515-612	22215K	SR130X12.5	H315	KM15	MB15	TSNG515	VR515	LO515	TA515	EC515-612
	FSNT 518-615	21315K	SR160X14	H315	KM15	MB15	TSNG615	VR615	LO615	TA615	EC518-615
	FSNT 518-615	22315K	SR160X5	H2315	KM15	MB15	TSNG615	VR615	LO615	TA615	EC518-615
70	FSNT 516-613	22216K	SR140X12.5	H316	KM16	MB16	TSNG516	VR516	LO516	TA516	EC516-613
	FSNT 519-616	21316K	SR170X14.5	H316	KM16	MB16	TSNG616	VR616	LO616	TA616	EC519-616
	FSNT 519-616	22316K	SR170X5	H2316	KM16	MB16	TSNG616	VR616	LO616	TA616	EC519-616
75	FSNT 517	22217K	SR150X12.5	H317	KM17	MB17	TSNG517	VR517	LO517	TA517	EC517
	FSNT 520-617	21317K	SR180X14.5	H317	KM17	MB17	TSNG617	VR617	LO617	TA617	EC520-617
	FSNT 520-617	22317K	SR180X5	H2317	KM17	MB17	TSNG617	VR617	LO617	TA617	EC520-617

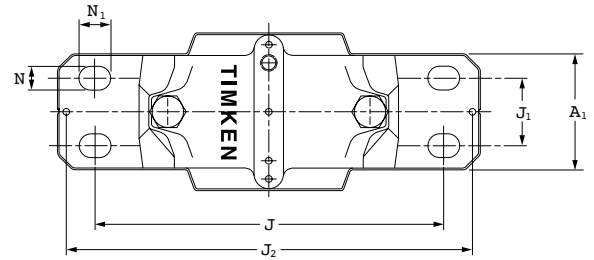
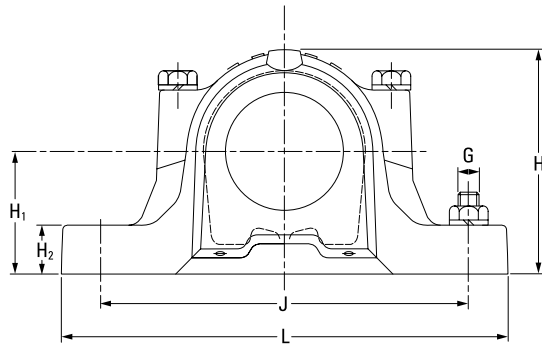
<sup>(1)</sup>Locating rings = minimum two required for fixed position, sold one piece per box.

<sup>(2)</sup>Adapter sleeve assembly includes one sleeve, one locknut and one lockwasher.

<sup>(3)</sup>Labyrinth, taconite seal, end cover, locknut, lockwasher, sold one piece per box.

<sup>(4)</sup>Double-lip and V-ring seals sold two pieces per box.

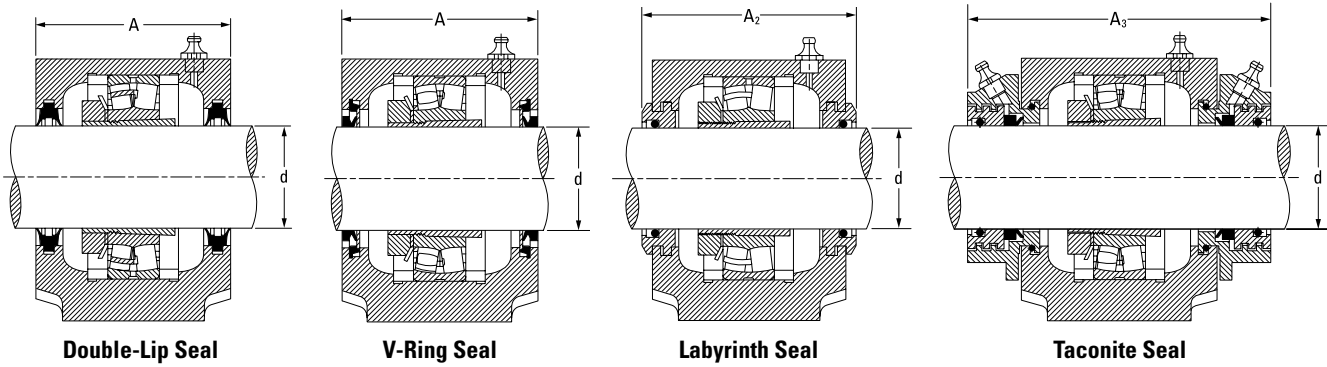




Housing Dimensions														4 Bolts Req'd	Housing Mass
A	A <sub>1</sub>	A <sub>2</sub>	A <sub>3</sub>	H	H <sub>1</sub>	H <sub>2</sub>	J	J <sub>1</sub>	J <sub>2</sub>	L	N	N <sub>1</sub>	G	kg	
mm	mm	mm	mm	mm	mm	mm	mm	mm	mm	mm	mm	mm	mm	kg	
95	70	107	155	128	70	28	210	35	234	255	15	20	12	4.5	
95	70	107	155	128	70	28	210	35	234	255	15	20	12	4.5	
105	70	117	165	134	70	30	210	35	234	255	15	20	12	5.3	
105	70	117	165	134	70	30	210	35	234	255	15	20	12	5.3	
95	70	107	155	128	70	28	210	35	234	255	15	20	12	4.5	
110	80	122	170	150	80	30	230	40	252	275	15	20	12	6.6	
110	80	122	170	150	80	30	230	40	252	275	15	20	12	6.6	
105	70	117	165	134	70	30	210	35	234	255	15	20	12	5.3	
115	80	127	175	156	80	30	230	40	257	280	15	20	12	6.9	
115	80	127	175	156	80	30	230	40	257	280	15	20	12	6.9	
110	80	122	170	150	80	30	230	40	252	275	15	20	12	6.6	
120	90	138	180	177	95	32	260	50	288	315	18	24	16	9.7	
120	90	138	180	177	95	32	260	50	288	315	18	24	16	9.7	
115	80	127	175	156	80	30	230	40	257	280	15	20	12	6.9	
140	100	158	225	194	100	35	290	50	317	345	18	24	16	13.1	
140	100	158	225	194	100	35	290	50	317	345	18	24	16	13.1	
120	90	138	180	177	95	32	260	50	288	315	18	24	16	9.7	
145	100	163	220	212	112	35	290	50	317	345	18	24	16	14.0	
145	100	163	220	212	112	35	290	50	317	345	18	24	16	14.0	
125	90	143	210	183	95	32	260	50	292	320	18	24	16	10.4	
160	110	178	235	218	112	40	320	60	348	380	18	24	16	17.6	
160	110	178	235	218	112	40	320	60	348	380	18	24	16	17.6	

Continued on next page.

# FOUR-BOLT FSNT HOUSINGS FOR TAPERED BORE BEARINGS (CONTINUED)



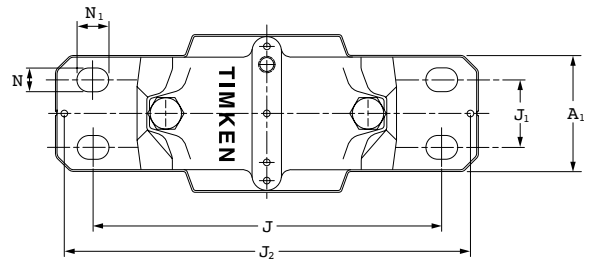
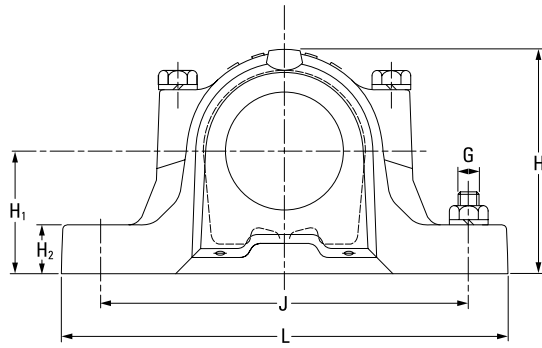
Shaft Dia.	Housing	Bearing	Locating Rings <sup>(1)</sup>	Adapter Sleeve <sup>(2)</sup>	Locknut <sup>(3)</sup>	Lockwasher <sup>(3)</sup>	Double-Lip Seal <sup>(4)</sup>	V-Ring Seal <sup>(4)</sup>	Labyrinth Seal <sup>(3)</sup>	Taconite Seal <sup>(3)</sup>	End Cover <sup>(3)</sup>
d			O.D. x Width								
mm											
80	FSNT 518-615	22218K	SR160X12.5	H318	KM18	MB18	TSNG518	VR518	L0518	TA518	EC518-615
	FSNT 518-615	23218K	SR160X6.25	H2318	KM18	MB18	TSNG518	VR518	L0518	TA518	EC518-615
85	FSNT 519-616	22219K	SR170X12.5	H319	KM19	MB19	TSNG519	VR519	L0519	TA519	EC519-616
	FSNT 522-619	21319K	SR200X17.5	H319	KM19	MB19	TSNG619	VR619	L0619	TA619	EC522-619
	FSNT 522-619	22319K	SR200X6.5	H2319	KM19	MB19	TSNG619	VR619	L0619	TA619	EC522-619
90	FSNT 520-617	22220K	SR180X12	H320	KM20	MB20	TSNG520	VR520	L0520	TA520	EC520-617
	FSNT 520-617	23220K	SR180X4.85	H2320	KM20	MB20	TSNG520	VR520	L0520	TA520	EC520-617
	FSNT 524-620	21320K	SR215X19.5	H320	KM20	MB20	TSNG620	VR620	L0620	TA620	EC524-620
	FSNT 524-620	22320K	SR215X6.5	H2320	KM20	MB20	TSNG620	VR620	L0620	TA620	EC524-620
100	FSNT 522-619	22222K	SR200X13.5	H322	KM22	MB22	TSNG522	VR522	L0522	TA522	EC522-619
	FSNT 522-619	23222K	SR200X5.1	H2322	KM22	MB22	TSNG522	VR522	L0522	TA522	EC522-619
110	FSNT 524-620	22224K	SR215X14	H3124	KM24	MB24	TSNG524	VR524	L0524	TA524	EC524-620
	FSNT 524-620	23224K	SR215X5	H2324	KM24	MB24	TSNG524	VR524	L0524	TA524	EC524-620
115	FSNT 526	22226K	SR230X13	H3126	KM26	MB26	TSNG526	VR526	L0526	TA526	EC526
	FSNT 526	23226K	SR230X5	H2326	KM26	MB26	TSNG526	VR526	L0526	TA526	EC526
125	FSNT 528	22228K	SR250X15	H3128	KM28	MB28	TSNG528	VR528	L0528	TA528	EC528
	FSNT 528	23228K	SR250X5	H2328	KM28	MB28	TSNG528	VR528	L0528	TA528	EC528
135	FSNT 530	22230K	SR270X16.5	H3130	KM30	MB30	TSNG530	VR530	L0530	TA530	EC530
	FSNT 530	23230K	SR270X5	H2330	KM30	MB30	TSNG530	VR530	L0530	TA530	EC530
140	FSNT 532	22232K	SR290X17	H3132	KM32	MB32	TSNG532	VR532	L0532	TA532	EC532
	FSNT 532	23232K	SR290X5	H2332	KM32	MB32	TSNG532	VR532	L0532	TA532	EC532

<sup>(1)</sup>Locating rings = minimum two required for fixed position, sold one piece per box.

<sup>(2)</sup>Adapter sleeve assembly includes one sleeve, one locknut and one lockwasher.

<sup>(3)</sup>Labyrinth, taconite seal, end cover, locknut, lockwasher, sold one piece per box.

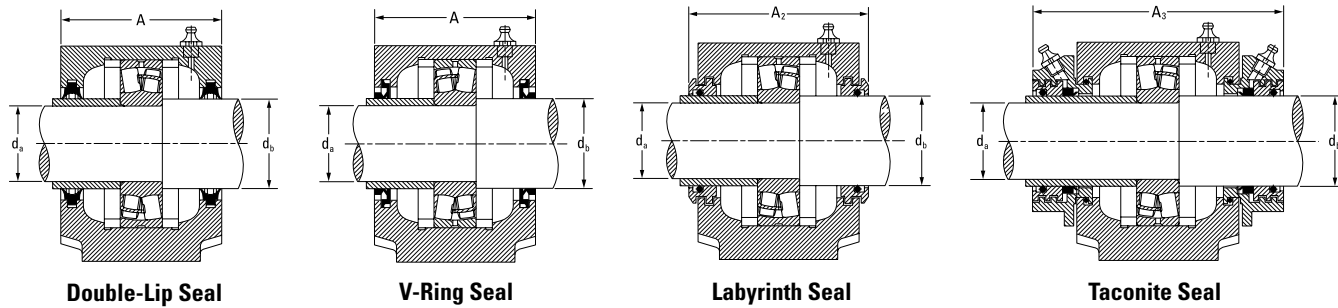
<sup>(4)</sup>Double-lip and V-ring seals sold two pieces per box.



Housing Dimensions													4 Bolts Req'd	Housing Mass
A	A <sub>1</sub>	A <sub>2</sub>	A <sub>3</sub>	H	H <sub>1</sub>	H <sub>2</sub>	J	J <sub>1</sub>	J <sub>2</sub>	L	N	N <sub>1</sub>	G	
mm	mm	mm	mm	mm	mm	mm	mm	mm	mm	mm	mm	mm	mm	mm
140	100	158	225	194	100	35	290	50	317	345	18	24	16	13.1
140	100	158	225	194	100	35	290	50	317	345	18	24	16	13.1
145	100	163	220	212	112	35	290	50	317	345	18	24	16	14.0
175	120	191	250	242	125	45	350	70	378	410	18	24	16	22.3
175	120	191	250	242	125	45	350	70	378	410	18	24	16	22.3
160	110	178	235	218	112	40	320	60	348	380	18	24	16	17.6
160	110	178	235	218	112	40	320	60	348	380	18	24	16	17.6
185	120	199	260	271	140	45	350	70	378	410	18	24	16	26.5
185	120	199	260	271	140	45	350	70	378	410	18	24	16	26.5
175	120	191	250	242	125	45	350	70	378	410	18	24	16	22.3
175	120	191	250	242	125	45	350	70	378	410	18	24	16	22.3
185	120	199	260	271	140	45	350	70	378	410	18	24	16	26.5
185	120	199	260	271	140	45	350	70	378	410	18	24	16	26.5
190	130	208	265	290	150	50	380	70	414	445	22	28	20	34.0
190	130	208	265	290	150	50	380	70	414	445	22	28	20	34.0
205	150	223	285	302	150	50	420	80	458	500	26	32	24	39.0
205	150	223	285	302	150	50	420	80	458	500	26	32	24	39.0
220	160	241	295	323	160	60	450	90	486	530	26	32	24	48.0
220	160	241	295	323	160	60	450	90	486	530	26	32	24	48.0
235	160	254	315	344	170	60	470	90	506	550	26	32	24	54.5
235	160	254	315	344	170	60	470	90	506	550	26	32	24	54.5

# TWO-BOLT SNT HOUSINGS FOR CYLINDRICAL BORE BEARINGS

- The basic numbers for ordering plummer block housings and components are listed in the table below.
- Each housing includes the housing cap, base and cap bolts.
- Assemblies shown are furnished in cast iron. If cast steel is desired, add the letter S to the alpha prefix (e.g., SNTS 518). If ductile iron is desired, add the letter D to the alpha prefix (e.g., SNTD 505).
- Seal sleeve for  $d_a$  shaft to be supplied by customer and should have same O.D. as  $d_b$ .

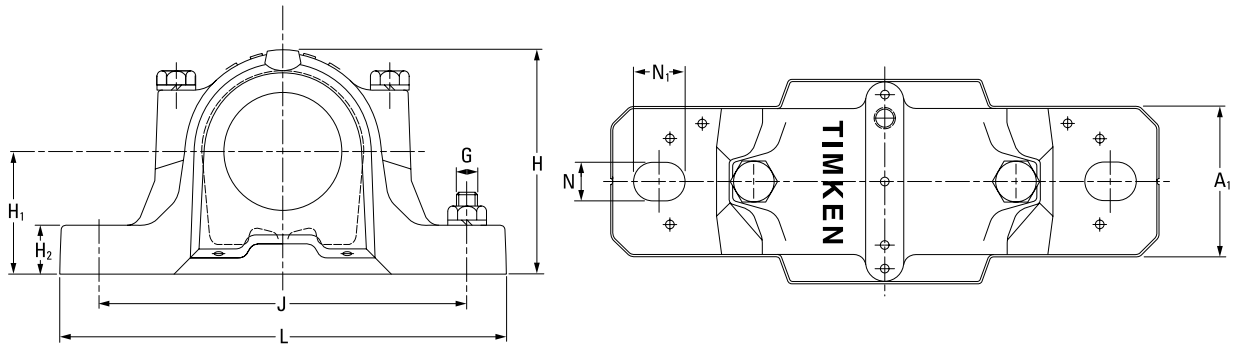


Shaft Dia.		Housing	Bearing	Locating Rings <sup>(1)</sup> O.D. x Width	Double-Lip Seal <sup>(2)</sup>	V-Ring Seal <sup>(2)</sup>	Labyrinth Seal <sup>(3)</sup>	Taconite Seal <sup>(3)</sup>	End Cover <sup>(3)</sup>
d <sub>a</sub>	d <sub>b</sub>								
mm	mm								
25	30	SNT 205 SNT 206-305	22205 21305	SR52X3.5 SR62X7.5	TSNG205 TSNG305	- VR305	L0205 L0305	TA205 TA305	EC506-605 EC507-606
30	35	SNT 206-305 SNT 507-606	22206 21306	SR62X6 SR72X7.5	TSNG206 TSNG306	VR206 VR306	L0206 L0306	TA206 TA306	EC507-606 EC507-606
35	45	SNT 207 SNT 208-307	22207 21307	SR72X5.5 SR80X9	TSNG207 TSNG307	VR207 VR307	L0207 L0307	TA207 TA307	EC509 EC510-608
40	50	SNT 208-307 SNT 510-608 SNT 510-608	22208 21308 22308	SR80X8 SR90X9 SR90X4	TSNG208 TSNG308 TSNG308	VR208 VR308 VR308	L0208 L0308 L0308	TA208 TA308 TA308	EC510-608 EC510-608 EC510-608
45	55	SNT 209 SNT 511-609 SNT 511-609	22209 21309 22309	SR85X3.5 SR100X9.5 SR100X4	TSNG209 TSNG309 TSNG309	VR209 VR309 VR309	L0209 L0309 L0309	TA209 TA309 TA309	EC511-609 EC511-609 EC511-609
50	60	SNT 210 SNT 512-610 SNT 512-610	22210 21310 22310	SR90X9 SR110X10.5 SR110X4	TSNG210 TSNG310 TSNG310	VR210 VR310 VR310	L0210 L0310 L0310	TA210 TA310 TA310	EC512-610 EC512-610 EC512-610
55	65	SNT 211 SNT 513-611 SNT 513-611	22211 21311 22311	SR100X9.5 SR120X11 SR120X4	TSNG211 TSNG311 TSNG311	VR211 VR311 VR311	L0211 L0311 L0311	TA211 TA311 TA311	EC513-611 EC513-611 EC513-611
60	70	SNT 212 SNT 515-612 SNT 515-612	22212 21312 22312	SR110X10 SR130X12.5 SR130X5	TSNG212 TSNG312 TSNG312	VR212 VR312 VR312	L0212 L0312 L0312	TA212 TA312 TA312	EC515-612 EC515-612 EC515-612
65	75	SNT 213 SNT 516-613 SNT 516-613	22213 21313 22313	SR120X10 SR140X12.5 SR140X5	TSNG213 TSNG313 TSNG313	VR213 VR313 VR313	L0213 L0313 L0313	TA213 TA313 TA313	EC516-613 EC516-613 EC516-613
70	80	SNT 517 SNT 517	22314 21314	SR150X5 SR150X13	TSNG314 TSNG314	VR314 VR314	L0314 L0314	TA314 TA314	EC517 EC517

<sup>(1)</sup>Locating rings = minimum two required for fixed position, sold one piece per box.

<sup>(2)</sup>Double-lip and V-ring seals sold two pieces per box. Consult your Timken engineer for double-lip seal availability.

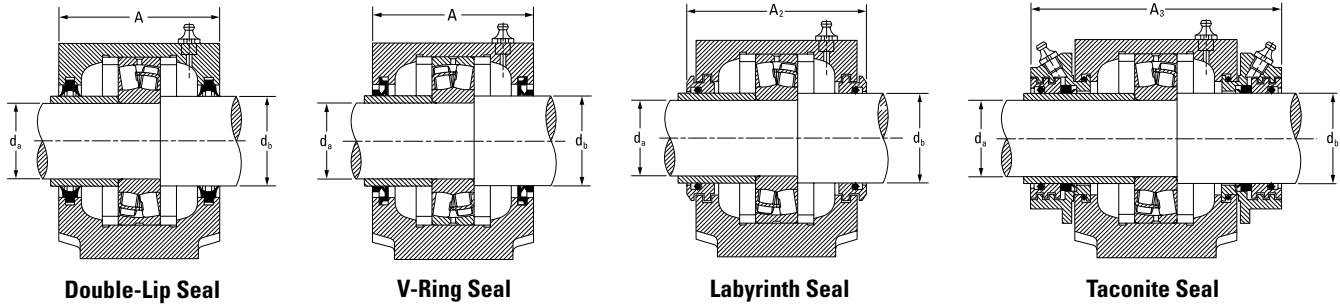
<sup>(3)</sup>Labyrinth, taconite seal and end cover, sold one piece per box.



Housing Dimensions													2 Bolts Req'd	Housing Mass
A	A <sub>1</sub>	A <sub>2</sub>	A <sub>3</sub>	H	H <sub>1</sub>	H <sub>2</sub>	J min	J	J max	L	N	N <sub>1</sub>	G	
mm	mm	mm	mm	mm	mm	mm	mm	mm	mm	mm	mm	mm	mm	kg
67	46	90	140	74	40	19	123	130	137	165	15	20	12	1.5
77	52	89	150	89	50	22	143	150	157	185	15	20	12	2.0
77	52	89	150	89	50	22	143	150	157	185	15	20	12	2.0
82	52	94	140	93	50	22	143	150	157	185	15	20	12	2.2
82	52	96	155	93	50	22	143	150	157	185	15	20	12	2.2
85	60	99	160	108	60	25	165	170	175	205	15	20	12	2.9
85	60	99	160	108	60	25	165	170	175	205	15	20	12	2.9
90	60	102	150	113	60	25	165	170	175	205	15	20	12	3.2
90	60	102	150	113	60	25	165	170	175	205	15	20	12	3.2
85	60	97	160	109	60	25	165	170	175	205	15	20	12	2.9
95	70	107	155	128	70	28	205	210	215	255	18	24	16	4.5
95	70	107	155	128	70	28	205	210	215	255	18	24	16	4.5
90	60	102	165	113	60	25	165	170	175	205	15	20	12	3.2
105	70	117	165	134	70	30	205	210	215	255	18	24	16	5.3
105	70	117	165	134	70	30	205	210	215	255	18	24	16	5.3
95	70	107	170	128	70	28	205	210	215	255	18	24	16	4.5
110	80	122	170	150	80	30	224	230	236	275	18	24	16	6.6
110	80	122	170	150	80	30	224	230	236	275	18	24	16	6.6
105	70	117	180	134	70	30	205	210	215	255	18	24	16	5.2
115	80	127	175	156	80	30	222	230	238	280	18	24	16	6.9
115	80	127	175	156	80	30	222	230	238	280	18	24	16	6.9
110	80	128	190	149	80	30	222	230	238	275	18	24	16	6.6
120	90	138	180	177	95	32	252	260	268	315	22	28	20	9.7
120	90	138	180	177	95	32	252	260	268	315	22	28	20	9.7
125	90	143	210	183	95	32	252	260	268	320	22	28	20	10.4
125	90	143	210	183	95	32	252	260	268	320	22	28	20	10.4

Continued on next page.

# TWO-BOLT SNT HOUSINGS FOR CYLINDRICAL BORE BEARINGS (CONTINUED)

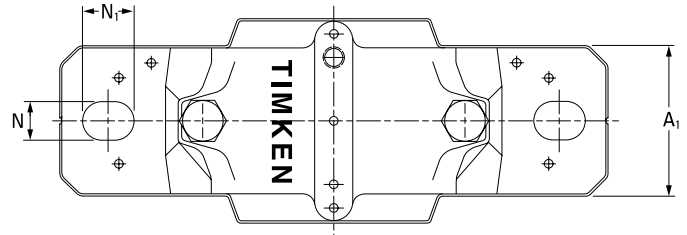
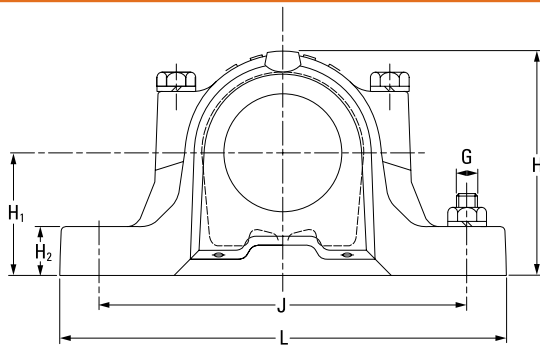


Shaft Dia.		Housing	Bearing	Locating Rings <sup>(1)</sup> O.D. x Width	Double-Lip Seal <sup>(2)</sup>	V-Ring Seal <sup>(2)</sup>	Labyrinth Seal <sup>(3)</sup>	Taconite Seal <sup>(3)</sup>	End Cover <sup>(3)</sup>
d <sub>a</sub>	d <sub>b</sub>								
mm	mm								
75	85	SNT 215 SNT 518-615 SNT 518-615	22215 21315 22315	SR130X12.5 SR160X14 SR160X5	TSNG215 TSNG315 TSNG315	VR215 VR315 VR315	L0215 L0315 L0315	TA215 TA315 TA315	EC518-615 EC518-615 EC518-615
80	90	SNT 216 SNT 519-616 SNT 519-616	22216 21316 22316	SR140X10 SR170X14.5 SR170X5	TSNG216 TSNG316 TSNG316	VR216 VR316 VR316	L0216 L0316 L0316	TA216 TA316 TA316	EC216 EC519-616 EC519-616
85	95	SNT 217 SNT 520-617 SNT 520-617	22217 21317 22317	SR150X12.5 SR180X14.5 SR180X5	TSNG217 TSNG317 TSNG317	VR217 VR317 VR317	L0217 L0317 L0317	TA217 TA317 TA317	EC217 EC520-617 EC520-617
90	100	SNT 218 SNT 218	22218 23218	SR160X12.5 SR160X6.25	TSNG218 TSNG218	VR218 VR218	L0218 L0218	TA218 TA218	EC218 EC218
95	110	SNT 522-619 SNT 522-619	21319 22319	SR200X17.5 SR200X6.5	TSNG319 TSNG319	VR319 VR319	L0319 L0319	TA319 TA319	EC522-619 EC522-619
100	115	SNT 520-617 SNT 520-617 SNT 524-620 SNT 524-620	22220 23220 21320 22320	SR180X12 SR180X4.85 SR215X19.5 SR215X6.5	TSNG220 TSNG220 TSNG320 TSNG320	VR220 VR220 VR320 VR320	L0220 L0220 L0320 L0320	TA220 TA220 TA320 TA320	EC520-617 EC520-617 EC524-620 EC524-620
110	125	SNT 522-619 SNT 522-619	22222 23222	SR200X13.5 SR200X5.1	TSNG222 TSNG222	VR222 VR222	L0222 L0222	TA222 TA222	EC522-619 EC522-619
120	135	SNT 524-620 SNT 524-620	22224 23224	SR215X14 SR215X5	TSNG224 TSNG224	VR224 VR224	L0224 L0224	TA224 TA224	EC 524-620 EC 524-620
130	145	SNT 526 SNT 526	22226 23226	SR230X13 SR230X5	TSNG226 TSNG226	VR226 VR226	L0226 L0226	TA226 TA226	EC526 EC526
140	155	SNT 528 SNT 528	22228 23228	SR250X15 SR250X5	TSNG228 TSNG228	VR228 VR228	L0228 L0228	TA228 TA228	EC528 EC528
150	165	SNT 530 SNT 530	22230 23230	SR270X16.5 SR270X5	TSNG230 TSNG230	VR230 VR230	L0230 L0230	TA230 TA230	EC530 EC530
160	175	SNT 532 SNT 532	22232 23232	SR290X17 SR290X5	TSNG232 TSNG232	VR232 VR232	L0232 L0232	TA232 TA232	EC532 EC532

<sup>(1)</sup>Locating rings = minimum two required for fixed position, sold one piece per box.

<sup>(2)</sup>Double-lip and V-ring seals sold two pieces per box. Consult your Timken engineer for double-lip seal availability.

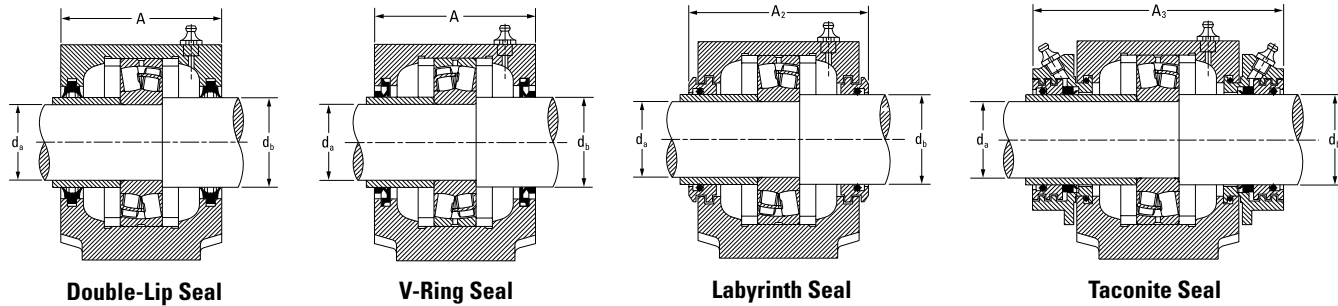
<sup>(3)</sup>Labyrinth, taconite seal and end cover, sold one piece per box.



Housing Dimensions													2 Bolts Req'd	Housing Mass
A	A <sub>1</sub>	A <sub>2</sub>	A <sub>3</sub>	H	H <sub>1</sub>	H <sub>2</sub>	J min	J	J max	L	N	N <sub>1</sub>	G	kg
mm	mm	mm	mm	mm	mm	mm	mm	mm	mm	mm	mm	mm	mm	kg
115	80	133	195	155	80	30	222	230	238	280	18	24	16	6.9
140	100	158	225	194	100	35	285	290	295	345	22	28	20	13.1
140	100	158	225	194	100	35	285	290	295	345	22	28	20	13.1
120	90	138	200	177	95	32	252	260	268	315	22	28	20	9.7
145	100	163	220	212	112	35	285	290	295	345	22	28	20	14.0
145	100	163	220	212	112	35	285	290	295	345	22	28	20	14.0
125	90	143	205	183	95	32	252	260	268	320	22	28	20	10.4
160	110	178	235	218	112	40	314	320	326	380	26	32	24	17.6
160	110	178	235	218	112	40	314	320	326	380	26	32	24	17.6
140	100	158	220	194	100	35	285	290	295	345	22	28	20	13.1
140	100	158	220	194	100	35	285	290	295	345	22	28	20	13.1
175	120	191	250	242	125	45	344	350	356	410	26	32	24	22.3
175	120	191	250	242	125	45	344	350	356	410	26	32	24	22.3
160	110	178	235	218	112	40	314	320	326	380	26	32	24	17.6
160	110	178	235	218	112	40	314	320	326	380	26	32	24	17.6
185	120	199	260	271	140	45	344	350	356	410	26	32	24	26.5
185	120	199	260	271	140	45	344	350	356	410	26	32	24	26.5
175	120	191	250	242	125	45	344	350	356	410	26	32	24	22.3
175	120	191	250	242	125	45	344	350	356	410	26	32	24	22.3
185	120	199	260	271	140	45	344	350	356	410	26	32	24	26.5
185	120	199	260	271	140	45	344	350	356	410	26	32	24	26.5
190	130	208	265	290	150	50	373	380	387	445	28	35	24	34.0
190	130	208	265	290	150	50	373	380	387	445	28	35	24	34.0
205	150	223	285	302	150	50	413	420	427	500	35	42	30	39.0
205	150	223	285	302	150	50	413	420	427	500	35	42	30	39.0
220	160	241	295	323	160	60	443	450	457	530	35	42	30	48.0
220	160	241	295	323	160	60	443	450	457	530	35	42	30	48.0
235	160	254	315	344	170	60	463	470	477	550	35	42	30	54.5
235	160	254	315	344	170	60	463	470	477	550	35	42	30	54.5

# FOUR-BOLT FSNT HOUSINGS FOR CYLINDRICAL BORE BEARINGS

- The basic numbers for ordering plummer block housings and components are listed in the table below.
- Each housing includes the housing cap, base and cap bolts.
- Assemblies shown are furnished in cast iron. If cast steel is desired, add the letter S to the alpha prefix (e.g., SNTS 518). If ductile iron is desired, add the letter D to the alpha prefix (e.g., SNTD 505).
- Seal sleeve for  $d_a$  shaft to be supplied by customer and should have same O.D. as  $d_b$ .



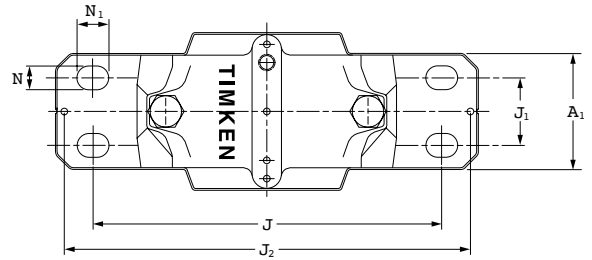
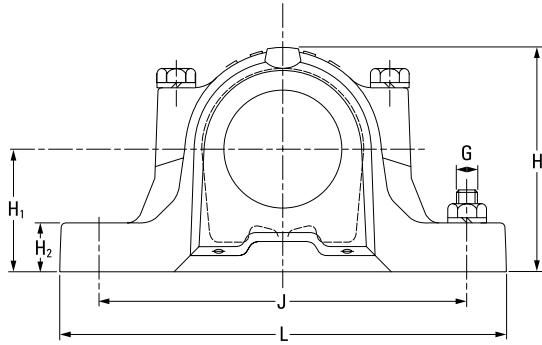
Shaft Dia.		Housing	Bearing	Locating Rings <sup>(1)</sup> O.D. x Width	Double-Lip Seal <sup>(2)</sup>	V-Ring Seal <sup>(2)</sup>	Labyrinth Seal <sup>(3)</sup>	Taconite Seal <sup>(3)</sup>	End Cover <sup>(3)</sup>
$d_a$	$d_b$								
mm	mm								
35	45	FSNT 208-307	21307	SR80X9	TSNG307	VR307	L0307	TA307	EC510-608
40	50	FSNT 208-307	22208	SR80X8	TSNG208	VR208	L0208	TA208	EC510-608
		FSNT 510-608	21308	SR90X9	TSNG308	VR308	L0308	TA308	EC510-608
		FSNT 510-608	22308	SR90X4	TSNG308	VR308	L0308	TA308	EC510-608
45	55	FSNT 209	22209	SR85X3.5	TSNG209	VR209	L0209	TA209	EC511-609
		FSNT 511-609	21309	SR100X9.5	TSNG309	VR309	L0309	TA309	EC511-609
		FSNT 511-609	22309	SR100X4	TSNG309	VR309	L0309	TA309	EC511-609
50	60	FSNT 210	22210	SR90X9	TSNG210	VR210	L0210	TA210	EC512-610
		FSNT 512-610	21310	SR110X10.5	TSNG310	VR310	L0310	TA310	EC512-610
		FSNT 512-610	22310	SR110X 4	TSNG310	VR310	L0310	TA310	EC512-610
55	65	FSNT 211	22211	SR100X9.5	TSNG211	VR211	L0211	TA211	EC513-611
		FSNT 513-611	21311	SR120X11	TSNG311	VR311	L0311	TA311	EC513-611
		FSNT 513-611	22311	SR120X4	TSNG311	VR311	L0311	TA311	EC513-611
60	70	FSNT 212	22212	SR110X10	TSNG212	VR212	L0212	TA212	EC515-612
		FSNT 515-612	21312	SR130X12.5	TSNG312	VR312	L0312	TA312	EC515-612
		FSNT 515-612	22312	SR130X5	TSNG312	VR312	L0312	TA312	EC515-612
65	75	FSNT 213	22213	SR120X10	TSNG213	VR213	L0213	TA213	EC516-613
		FSNT 516-613	21313	SR140X12.5	TSNG313	VR313	L0313	TA313	EC516-613
		FSNT 516-613	22313	SR140X5	TSNG313	VR313	L0313	TA313	EC516-613
70	80	FSNT 517	22314	SR150X5	TSNG314	VR314	L0314	TA314	EC517
		FSNT 517	21314	SR150X13	TSNG314	VR314	L0314	TA314	EC517
75	85	FSNT 215	22215	SR130X12.5	TSNG215	VR215	L0215	TA215	EC518-615
		FSNT 518-615	21315	SR160X14	TSNG315	VR315	L0315	TA315	EC518-615
		FSNT 518-615	22315	SR160X5	TSNG315	VR315	L0315	TA315	EC518-615
80	90	FSNT 216	22216	SR140X10	TSNG216	VR216	L0216	TA216	EC216
		FSNT 519-616	21316	SR170X14.5	TSNG316	VR316	L0316	TA316	EC519-616
		FSNT 519-616	22316	SR170X5	TSNG316	VR316	L0316	TA316	EC519-616

<sup>(1)</sup> Locating rings = minimum two required for fixed position, sold one piece per box.

<sup>(2)</sup> Double-lip and V-ring seal sold two pieces per box. Consult with your Timken engineer for double-lip seal availability.

<sup>(3)</sup> Labyrinth, taconite seal and end cover, sold one piece per box.

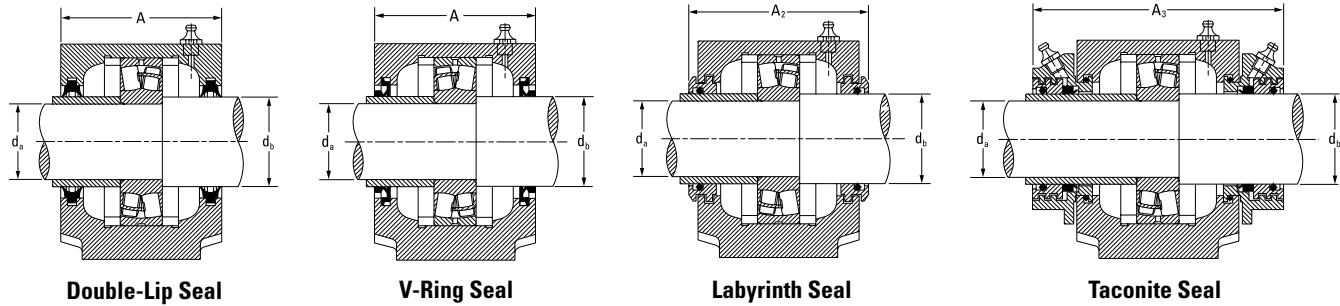




Housing Dimensions													4 Bolts Req'd	Housing Mass
A	A <sub>1</sub>	A <sub>2</sub>	A <sub>3</sub>	H	H <sub>1</sub>	H <sub>2</sub>	J	J <sub>1</sub>	J <sub>2</sub>	L	N	N <sub>1</sub>	G	
mm	mm	mm	mm	mm	mm	mm	mm	mm	mm	mm	mm	mm	mm	kg
85	60	99	160	108	60	25	160	34	–	205	11	–	12	2.9
85	60	99	160	108	60	25	160	34	–	205	11	–	12	2.9
90	60	102	150	113	60	25	160	34	–	205	–	11	12	3.2
90	60	102	150	113	60	25	160	34	–	205	–	11	12	3.2
85	60	97	160	109	60	25	160	34	–	205	11	–	12	2.9
95	70	107	155	128	70	28	210	35	–	255	15	20	16	4.5
95	70	107	155	128	70	28	210	35	–	255	15	20	16	4.5
90	60	102	165	113	60	25	160	34	–	205	11	–	12	3.2
105	70	117	165	134	70	30	210	35	–	255	15	20	16	5.3
105	70	117	165	134	70	30	210	35	–	255	15	20	16	5.3
95	70	107	170	128	70	28	200	40	–	255	14	–	16	4.5
110	80	122	170	150	80	30	230	40	–	275	15	20	16	6.6
110	80	122	170	150	80	30	230	40	–	275	15	20	16	6.6
105	70	117	180	134	70	30	200	40	–	255	14	–	16	5.2
115	80	127	175	156	80	30	230	40	–	280	15	20	16	6.9
115	80	127	175	156	80	30	230	40	–	280	15	20	16	6.9
110	80	128	190	149	80	30	220	48	–	275	14	–	16	6.6
120	90	138	180	177	95	32	260	50	–	315	18	24	20	9.7
120	90	138	180	177	95	32	260	50	–	315	18	24	20	9.7
125	90	143	210	183	95	32	260	50	–	320	18	24	20	10.4
125	90	143	210	183	95	32	260	50	–	320	18	24	20	10.4
115	80	133	195	155	80	30	220	48	–	280	14	–	16	6.9
140	100	158	225	194	100	35	290	50	–	345	18	24	20	13.1
140	100	158	225	194	100	35	290	50	–	345	18	24	20	13.1
120	90	138	200	177	95	32	252	52	–	315	18	–	20	9.7
145	100	163	220	212	112	35	290	50	–	345	18	24	20	14.0
145	100	163	220	212	112	35	290	50	–	345	18	24	20	14.0

Continued on next page.

# FOUR-BOLT FSNT HOUSINGS FOR CYLINDRICAL BORE BEARINGS (CONTINUED)

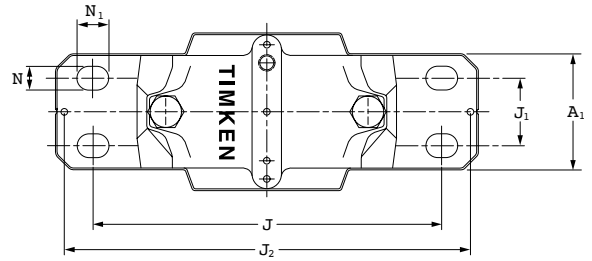
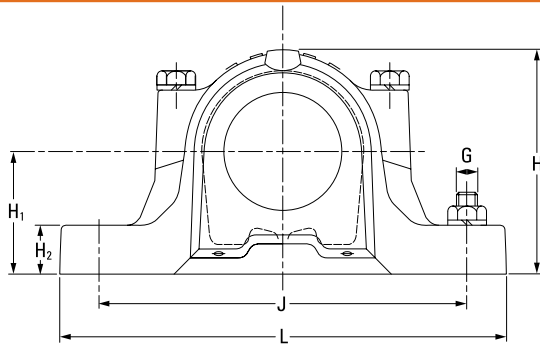


Shaft Dia.		Housing	Bearing	Locating Rings <sup>(1)</sup> O.D. x Width	Double-Lip Seal <sup>(2)</sup>	V-Ring Seal <sup>(2)</sup>	Labyrinth Seal <sup>(3)</sup>	Taconite Seal <sup>(3)</sup>	End Cover <sup>(3)</sup>
$d_a$	$d_b$								
mm	mm								
85	95	FSNT 217 FSNT 520-617 FSNT 520-617	22217 21317 22317	SR150X12.5 SR180X14.5 SR180X5	TSNG217 TSNG317 TSNG317	VR217 VR317 VR317	L0217 L0317 L0317	TA217 TA317 TA317	EC217 EC520-617 EC520-617
90	100	FSNT 218 FSNT 218	22218 23218	SR160X12.5 SR160X6.25	TSNG218 TSNG218	VR218 VR218	L0218 L0218	TA218 TA218	EC218 EC218
95	110	FSNT 522-619 FSNT 522-619	21319 22319	SR200X17.5 SR200X6.5	TSNG319 TSNG319	VR219 VR219	L0319 L0319	TA319 TA319	EC522-619 EC522-619
100	115	FSNT 520-617 FSNT 520-617 FSNT 524-620 FSNT 524-620	22220 23220 21320 22320	SR180X12 SR180X4.85 SR215X19.5 SR215X6.5	TSNG220 TSNG220 TSNG320 TSNG320	VR220 VR220 VR320 VR320	L0220 L0220 L0320 L0320	TA220 TA220 TA320 TA320	EC520-617 EC520-617 EC524-620 EC524-620
110	125	FSNT 522-619 FSNT 522-619	22222 23222	SR200X13.5 SR200X5.1	TSNG222 TSNG222	VR222 VR222	L0222 L0222	TA222 TA222	EC522-619 EC522-619
120	135	FSNT 524-620 FSNT 524-620	22224 23224	SR215X14 SR215X5	TSNG224 TSNG224	VR224 VR224	L0224 L0224	TA224 TA224	EC 524-620 EC 524-620
130	145	FSNT 526 FSNT 526	22226 23226	SR230X13 SR230X5	TSNG226 TSNG226	VR226 VR226	L0226 L0226	TA226 TA226	EC526 EC526
140	155	FSNT 528 FSNT 528	22228 23228	SR250X15 SR250X5	TSNG228 TSNG228	VR228 VR228	L0228 L0228	TA228 TA228	EC528 EC528
150	165	FSNT 530 FSNT 530	22230 23230	SR270X16.5 SR270X5	TSNG230 TSNG230	VR230 VR230	L0230 L0230	TA230 TA230	EC530 EC530
160	175	FSNT 532 FSNT 532	22232 23232	SR290X17 SR290X5	TSNG232 TSNG232	VR232 VR232	L0232 L0232	TA232 TA232	EC532 EC532

<sup>(1)</sup>Locating rings = minimum two required for fixed position, sold one piece per box.

<sup>(2)</sup>Double-lip and V-ring seal sold two pieces per box. Consult with your Timken engineer for double-lip seal availability.

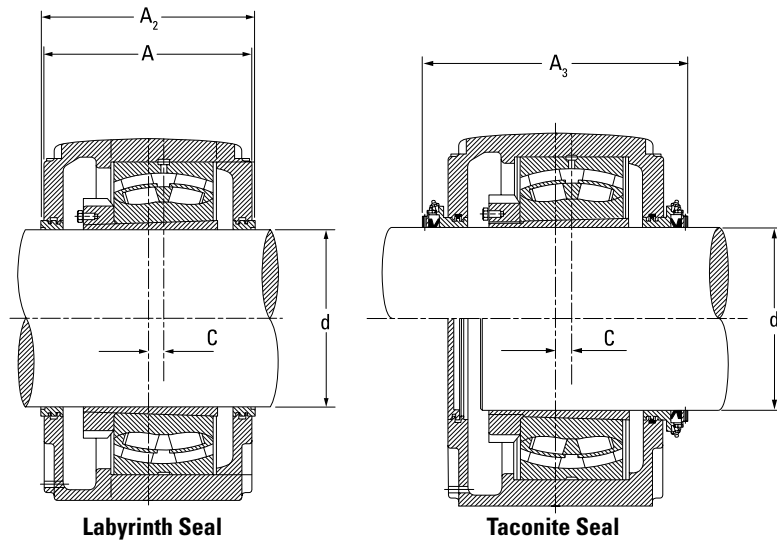
<sup>(3)</sup>Labyrinth, taconite seal and end cover, sold one piece per box.



Housing Dimensions													4 Bolts Req'd	Housing Mass
A	A <sub>1</sub>	A <sub>2</sub>	A <sub>3</sub>	H	H <sub>1</sub>	H <sub>2</sub>	J	J <sub>1</sub>	J <sub>2</sub>	L	N	N <sub>1</sub>	G	
mm	mm	mm	mm	mm	mm	mm	mm	mm	mm	mm	mm	mm	mm	kg
125	90	143	205	183	95	32	252	52	—	320	18	—	20	10.4
160	110	178	235	218	112	40	320	60	—	380	18	24	24	17.6
160	110	178	235	218	112	40	320	60	—	380	18	24	24	17.6
140	100	158	220	194	100	35	280	58	—	345	18	—	20	13.1
140	100	158	220	194	100	35	280	58	—	345	18	—	20	13.1
175	120	191	250	242	125	45	350	70	—	410	18	24	24	22.3
175	120	191	250	242	125	45	350	70	—	410	18	24	24	22.3
160	110	178	235	218	112	40	320	60	—	380	18	24	24	17.6
160	110	178	235	218	112	40	320	60	—	380	18	24	24	17.6
185	120	199	260	271	140	45	350	70	—	410	18	24	24	26.5
185	120	199	260	271	140	45	350	70	—	410	18	24	24	26.5
175	120	191	250	242	125	45	350	70	—	410	18	24	24	22.3
175	120	191	250	242	125	45	350	70	—	410	18	24	24	22.3
185	120	199	260	271	140	45	350	70	—	410	18	24	24	26.5
185	120	199	260	271	140	45	350	70	—	410	18	24	24	26.5
190	130	208	265	290	150	50	380	70	—	445	22	28	24	34.0
190	130	208	265	290	150	50	380	70	—	445	22	28	24	34.0
205	150	223	285	302	150	50	420	80	—	500	26	32	30	39.0
205	150	223	285	302	150	50	420	80	—	500	26	32	30	39.0
220	160	241	295	323	160	60	450	90	—	530	26	32	30	48.0
220	160	241	295	323	160	60	450	90	—	530	26	32	30	48.0
235	160	254	315	344	170	60	470	90	—	550	26	32	30	54.5
235	160	254	315	344	170	60	470	90	—	550	26	32	30	54.5

# LARGE PLUMMER BLOCK HOUSINGS – 3000 AND 3100 SERIES

- The basic numbers for ordering plummer block housings and components are listed in the table below.
- Each housing includes the housing cap, base and cap bolts.
- Housings shown are furnished in cast iron. If cast steel is desired, add the letter S to the alpha prefix (e.g., SNTS 518). If ductile iron is desired, add the letter D to the alpha prefix (e.g., SNTD 505).
- Housings with the F suffix are manufactured for fixed bearings. Those with the L suffix are float position housings.

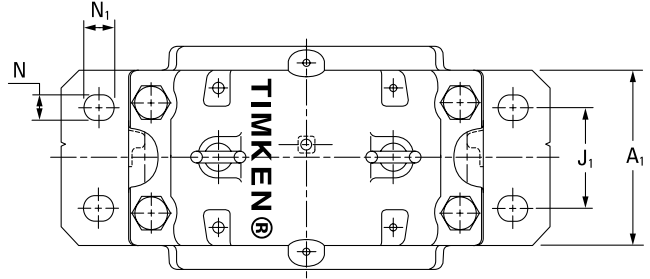
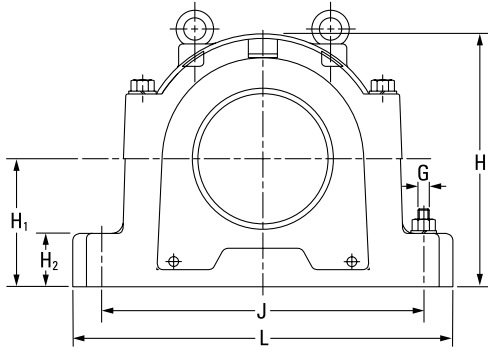


Shaft Dia. d	Housing	Bearing	Locating Rings <sup>(1)</sup> O.D. x Width	Quantity (Typically required for this bearing/housing configuration)	Adapter Sleeve <sup>(2)</sup>	Locknut <sup>(3)</sup>	Lockwasher <sup>(3)</sup>	Labyrinth Seal <sup>(3)</sup>	Taconite Seal <sup>(3)</sup>	End Cover <sup>(3)</sup>
mm										
150	SNT 3134	23134K	SR280X10	2	H3134	KM34	MB34	L034	TA34	EC34
160	SNT 3036	23036K	SR280X17	2	H3036	KM36	MB36	L036	TA36	EC36
	SNT 3136	23136K	SR300X10	2	H3136	KM36	MB36	L036	TA36	EC36
170	SNT 3038	23038K	SR290X10	4	H3038	KML38	MBL38	L038	TA38	EC38
	SNT 3138	23138K	SR320X10	2	H3138	KM38	MB38	L038	TA38	EC38
180	SNT 3040	23040K	SR310X10	4	H3040	KM40	MB40	L040	TA40	EC40
	SNT 3140	23140K	SR340X10	2	H3140	KM40	MB40	L040	TA40	EC40
200	SNT 3044	23044K	SR340X10	4	OH3044H	HM3044	MS3044	L044	TA44	EC44
	SNT 3144	23144K	SR370X10	2	OH3144H	HM44T	MB44	L044	TA44	EC44
220	SNT 3048	23048K	SR360X12	4	OH3048H	HM3048	MS3048	L048	TA48	EC48
	SNT 3148	23148K	SR400X10	2	OH3148H	HM48T	MB48	L048	TA48	EC48
240	SNT 3052	23052K	SR400X22	2	OH3052H	HM3052	MS3052	L052	TA52	EC52
	SNT 3152	23152K	SR440X10	2	OH3152H	HM52T	MB52	L052	TA52	EC52
260	SNT 3056	23056K	SR420X10	6	OH3056H	HM3056	MS3056	L056	TA56	EC56
	SNT 3156	23156K	SR460X10	2	OH3156H	HM56T	MB56	L056	TA56	EC56
280	SNT 3060	23060K	SR460X25	2	OH3060H	HM3060	MS3060	L060	TA60	EC60
	SNT 3160	23160K	SR500X10	2	OH3160H	HM3160	MS3160	L060	TA60	EC60
300	SNT 3064	23064K	SR480X10	6	OH3064H	HM3064	MS3064	L064	TA64	EC64
	SNT 3164	23164K	SR540X10	2	OH3164H	HM3164	MS3164	L064	TA64	EC64
320	SNT 3068	23068K	SR520X16	4	OH3068H	HM3068	MS3068	L068	TA68	EC68
	SNT 3168F	23168K	FIXED HOUSING	–	OH3168H	HM3168	MS3168	L068	TA68	EC68
	SNT 3168L	23168K	FLOAT HOUSING	–	OH3168H	HM3168	MS3168	L068	TA68	EC68
340	SNT 3072	23172K	SR540X16	4	OH3072H	HM3072	MS3072	L072	TA72	EC72
	SNT 3172F	23172K	FIXED HOUSING	–	OH3172H	HM3172	MS3172	L072	TA72	EC72
	SNT 3172L	23172K	FLOAT HOUSING	–	OH3172H	HM3172	MS3172	L072	TA72	EC72

<sup>(1)</sup>Locating rings = minimum two required for fixed position, sold one piece per box.

<sup>(2)</sup>Adapter sleeve assembly includes one sleeve, one locknut and one lockwasher.

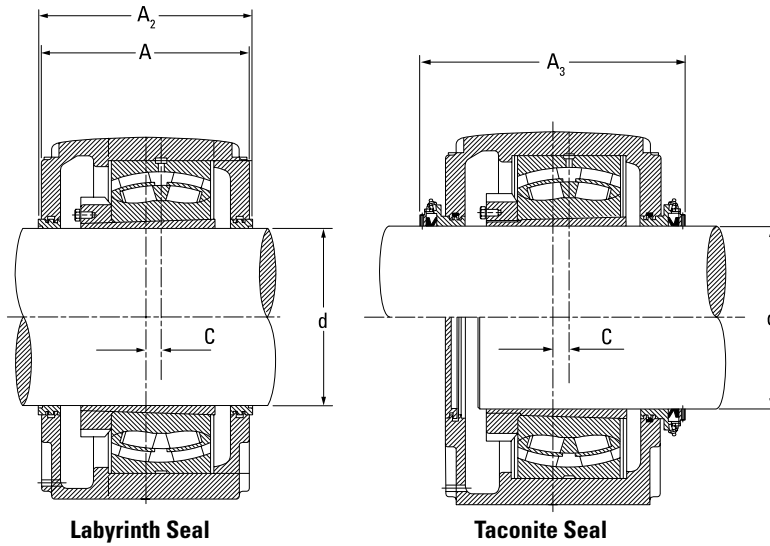
<sup>(3)</sup>Labyrinth, taconite seal, end cover, locknut, lockwasher, sold one piece per box.



Housing Dimensions													4 Bolts Req'd	Housing Mass
A	A <sub>1</sub>	A <sub>2</sub>	A <sub>3</sub>	C	H	H <sub>1</sub>	H <sub>2</sub>	J	J <sub>1</sub>	L	N	N <sub>1</sub>	G	
230	180	240	300	14	333	170	70	430	100	510	28	34	24	75
230	180	240	310	14	333	170	70	430	100	510	28	34	24	72
240	190	250	315	15	353	180	75	450	110	530	28	34	24	92
240	190	250	315	15	353	180	75	450	110	530	28	34	24	81
260	210	270	335	10	375	190	80	480	120	560	28	34	24	112
260	210	270	335	10	375	190	80	480	120	560	28	34	24	110
280	230	290	355	10	411	210	85	510	130	610	35	42	30	130
280	230	290	355	10	411	210	85	510	130	610	35	42	30	118
290	240	300	385	12	434	220	90	540	140	640	35	42	30	140
310	260	315	400	12	474	240	95	600	150	700	35	42	30	138
310	260	315	400	12	474	240	95	600	150	700	35	42	30	193
320	280	330	415	13	516	260	100	650	160	770	42	50	36	189
320	280	330	415	13	516	260	100	650	160	770	42	50	36	235
320	280	330	415	16	551	280	105	670	160	790	42	50	36	254
320	280	330	415	16	551	280	105	670	160	790	42	50	36	260
350	310	360	445	22	591	300	110	710	190	830	42	50	36	310
350	310	360	445	22	591	300	110	710	190	830	42	50	36	260
370	330	380	462	23	631	320	115	750	200	880	42	50	36	300
370	330	380	462	23	631	320	115	750	200	880	42	50	36	346
400	360	410	492	24	675	340	120	810	220	950	42	50	36	339
400	360	410	492	24	675	340	120	810	220	950	42	50	36	432.5
400	360	410	492	24	675	340	120	810	220	950	42	50	36	429.5
370	330	380	465	23	631	320	115	750	200	950	42	50	36	342
400	360	410	492	30	695	350	120	840	220	1000	42	50	36	458
400	360	410	492	30	695	350	120	840	220	1000	42	50	36	454

Continued on next page.

# LARGE PLUMMER BLOCK HOUSINGS – 3000 AND 3100 SERIES (CONTINUED)

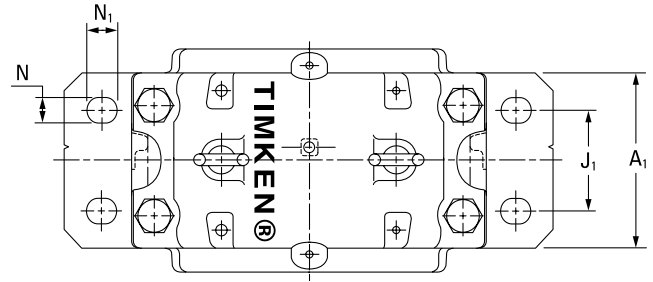
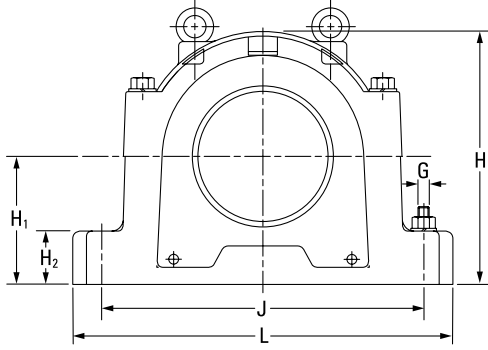


Shaft Dia. d	Housing	Bearing	Locating Rings <sup>(1)</sup> O.D. x Width	Quantity (Typically required for this bearing/housing configuration)	Adapter Sleeve <sup>(2)</sup>	Locknut <sup>(3)</sup>	Lockwasher <sup>(3)</sup>	Labyrinth Seal <sup>(3)</sup>	Taconite Seal <sup>(3)</sup>	End Cover <sup>(3)</sup>
mm										
360	SNT 3076F	23076K	FIXED HOUSING	-	OH3076H	HM3076	MS3076	LO76	TA76	EC76
	SNT 3076L	23076K	FLOAT HOUSING		OH3076H	HM3076	MS3076	LO76	TA76	EC76
	SNT 3176F	23176K	FIXED HOUSING		OH3176H	HM3176	MS3176	LO76	TA76	EC76
	SNT 3176L	23176K	FLOAT HOUSING		OH3176H	HM3176	MS3176	LO76	TA76	EC76
380	SNT 3080F	23080K	FIXED HOUSING	-	OH3080H	HM3080	MS3080	LO80	TA80	EC80
	SNT 3080L	23080K	FLOAT HOUSING		OH3080H	HM3080	MS3080	LO80	TA80	EC80
	SNT 3180F	23180K	FIXED HOUSING		OH3180H	HM3180	MS3180	LO80	TA80	EC80
	SNT 3180L	23180K	FLOAT HOUSING		OH3180H	HM3180	MS3180	LO80	TA80	EC80
400	SNT 3084F	23084K	FIXED HOUSING	-	OH3084H	HM3084	MS3084	LO84	TA84	EC84
	SNT 3084L	23084K	FLOAT HOUSING		OH3084H	HM3084	MS3084	LO84	TA84	EC84

<sup>(1)</sup>Locating rings = minimum two required for fixed position, sold one piece per box.

<sup>(2)</sup>Adapter sleeve assembly includes one sleeve, one locknut and one lockwasher.

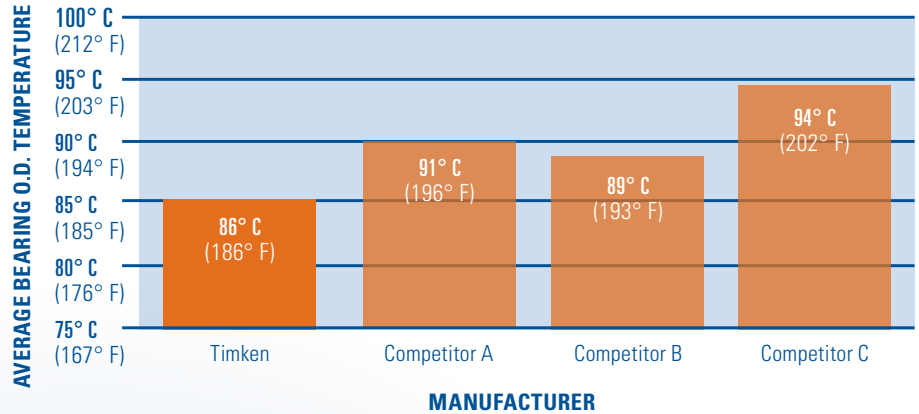
<sup>(3)</sup>Labyrinth, taconite seal, end cover, locknut, lockwasher, sold one piece per box.



Housing Dimensions													4 Bolts Req'd	Housing Mass
A	A <sub>1</sub>	A <sub>2</sub>	A <sub>3</sub>	C	H	H <sub>1</sub>	H <sub>2</sub>	J	J <sub>1</sub>	L	N	N <sub>1</sub>	G	
mm	mm	mm	mm	mm	mm	mm	mm	mm	mm	mm	mm	mm	mm	kg
400	360	410	495	24	675	340	120	810	220	1000	42	50	36	430
400	360	410	495	24	675	340	120	810	220	1000	42	50	36	427
400	360	410	492	30	715	360	120	870	220	1040	42	50	36	487
400	360	410	492	30	715	360	120	870	220	1040	42	50	36	484
400	360	410	495	30	695	350	120	840	220	1040	42	50	36	454
400	360	410	495	30	695	350	120	840	220	1040	42	50	36	450
430	390	440	522	30	775	380	125	950	240	1120	48	60	42	595
430	390	440	522	30	775	380	125	950	240	1120	48	60	42	595
400	360	410	795	30	715	360	120	870	220	1120	42	50	36	483
400	360	410	795	30	715	360	120	870	220	1120	42	50	36	480

# TIMKEN® SPHERICAL ROLLER BEARINGS: COOLER THAN THE COMPETITION

Lower operating temperatures increase bearing life by increasing lubricant life. A 5° C decrease in operating temperature can translate to 9 percent longer bearing life. In tests, Timken spherical roller bearings ran at consistently lower temperatures than same-size competitors' bearings.



## TIMKEN OFFERS A WIDE RANGE OF HOUSED UNITS THAT HANDLE DEMANDING HEAVY INDUSTRIAL OPERATIONS



**SNT PLUMMER BLOCK HOUSINGS**  
shaft sizes from 20 to 400 mm



**SAF PILLOW BLOCK HOUSINGS**  
shaft sizes from 1-3/8 to 19-1/2 in



**SOLID-BLOCK SPHERICAL ROLLER BEARING HOUSED UNIT**  
shaft sizes from 40 to 180 mm; 1-7/16 to 7 in



**TYPE E TAPERED ROLLER BEARING HOUSED UNIT**  
shaft sizes from 35 to 125mm; 1-3/16 to 5 in



**BALL BEARING HOUSED UNIT**  
shaft sizes from 12 to 90 mm; 1/2 to 3-15/16 in

### INDUSTRIES AND APPLICATIONS

- Power Generation (Coal)
- Mining
- Aggregate/Cement
- Metal Mills
- Pulp & Paper/Sawmills/Forestry
- Water Treatment
- Food Processing
- Warehousing
- Movable Bridges/Structures
- Industrial Fans/Blowers

### CALL ON TIMKEN

For your nearest Timken sales representative, visit [www.timken.com](http://www.timken.com).

# TIMKEN

The Timken team applies their know-how to improve the reliability and performance of machinery in diverse markets worldwide. The company designs, makes and markets high-performance steel as well as mechanical components, including bearings, gears, chain and related mechanical power transmission products and services.

Stronger. Commitment. Stronger. Value. Stronger. Worldwide. Stronger. Together. | Stronger. By Design.

[www.timken.com](http://www.timken.com)