

ANGULAR CONTACT BALL BEARINGS

SINGLE-ROW AND MATCHED ANGULAR CONTACT BALL BEARINGS

Bore Diameter 10 – 65mm B50
 Bore Diameter 70 – 120mm B60
 Bore Diameter 130 – 200mm B66

DOUBLE-ROW ANGULAR CONTACT BALL BEARINGS

Bore Diameter 10 – 85mm B70

FOUR-POINT CONTACT BALL BEARINGS

Bore Diameter 30 – 200mm B72



DESIGN, TYPES, AND FEATURES

SINGLE-ROW ANGULAR CONTACT BALL BEARINGS

Since these bearings have a contact angle, they can sustain significant axial loads in one direction together with radial loads. Because of their design, when a radial load is applied, an axial force component is produced; therefore, two opposed bearings or a combination of more than two must be used.

Since the rigidity of single-row angular contact ball bearings can be increased by preloading, they are often used in the main spindles of machine tools, for which high running accuracy is required. (Refer to Chapter 10, Preload, Page A96).

Usually, the cages for angular contact ball bearings with a contact angle of 30° (Symbol **A**) or 40° (Symbol **B**) are in accordance with Table 1, but depending on the application, machined synthetic resin cages or molded polyamide resin cages are also used. The basic load ratings given in the bearing tables are based on the cage classification listed in Table 1.

Though the figures in the bearing tables (Pages B50 to B65; bearing bore diameters of 10 to 120) show bearings with single-shoulder-type inner rings, both-shoulder-type bearings are also available. Please consult NSK for more detailed information.

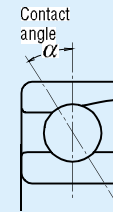


Table 1 Standard Cages for Angular Contact Ball Bearings

Series	Pressed Steel Cages	Machined Brass Cages
79A5, C	—	7900 – 7940
70A	7000 – 7018	7019 – 7040
70C	—	7000 – 7022
72A, B	7200 – 7222	7224 – 7240
72C	—	7200 – 7240
73A, B	7300 – 7320	7321 – 7340

In addition, for bearings with the same serial number, if the type of cages are different, the number of balls may also be different. In such a case, the load rating will differ from the one listed in the bearing tables.

Angular Contact Ball Bearings with contact angles of 15° (Symbol **C**) and 25° (Symbol **A5**) are primarily for high precision or high speed applications, and machined brass or synthetic resin cages or molded polyamide cages are used.

The maximum operating temperature of molded polyamide cages is 120°C.

MATCHED ANGULAR CONTACT BALL BEARINGS

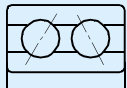
The types and features of matched angular contact ball bearings are shown in Table 2.

Table 2 Types and Features of Matched Angular Contact Ball Bearings

Figure	Arrangement	Features
	Back-to-back (DB) (Example) 7208 A DB	Radial loads and axial loads in both directions can be sustained. Since the distance between the effective load centers a_0 is big, this type is suitable if moments are applied.
	Face-to-face (DF) (Example) 7208 B DF	Radial loads and axial loads in both directions can be sustained. Compared with the DB Type, the distance between the effective load centers is small, so the capacity to sustain moments is inferior to the DB Type.
	Tandem (DT) (Example) 7208 A DT	Radial loads and axial loads in one direction can be sustained. Since two bearings share the axial load, this arrangement is used when the load in one direction is heavy.

NSKHPS ANGULAR CONTACT BALL BEARINGS

In comparison with standard angular contact ball bearings, these bearings have high capacity, high limiting speed, and highly accurate universal matching as the features. The molded polyamide cages are standard specification for the HPS type.



DOUBLE-ROW ANGULAR CONTACT BALL BEARINGS

This is basically a back-to-back mounting of two single-row angular contact ball bearings, but their inner and outer rings are each integrated into one. Axial loads in both directions can be sustained, and the capacity to sustain moments is good. This type is used as fixed-end bearings.

Their cages are pressed steel.



FOUR-POINT CONTACT BALL BEARINGS

The inner ring is split radially into two pieces. Their design allows one bearing to sustain significant axial loads in either direction.

The contact angle is 35°, so the axial load capacity is high. This type is suitable for carrying pure axial loads or combined loads where the axial loads are high.

The cages are made of machined brass.

PRECAUTIONS FOR USE OF ANGULAR CONTACT BALL BEARINGS

Under severe operating conditions where the speed and temperature are close to their limits, lubrication is marginal, vibration and moment loads are heavy, they may not be suitable, particularly for certain types of cages. In such a case, please consult with NSK beforehand.

And if the load on angular contact ball bearings becomes too small, or if the ratio of the axial and radial loads for matched bearings exceeds e' (e' is listed in the bearings tables) during operation, slippage occurs between the balls and raceways, which may result in smearing. Especially with large bearings since the weight of the balls and cage is high. If such load conditions are expected, please consult with NSK for selection of the bearings.

TOLERANCES AND RUNNING ACCURACY

SINGLE-ROW ANGULAR CONTACT

BALL BEARINGS Table 8.2 (Pages A60 to A63)

NSKHPS ANGULAR CONTACT BALL BEARINGS

Tolerance for Dimensions: Class 6,
Running Accuracy: Class 5 Table 8.2 (Pages A60 to A63)

MATCHED ANGULAR CONTACT

BALL BEARINGS Table 8.2 (Pages A60 to A63)

DOUBLE-ROW ANGULAR CONTACT

BALL BEARINGS Table 8.2 (Pages A60 to A63)

FOUR-POINT CONTACT BALL

BEARINGS Table 8.2 (Pages A60 to A63)

RECOMMENDED FITS

SINGLE-ROW ANGULAR CONTACT BALL BEARINGS AND HPS ANGULAR CONTACT BALL BEARINGS Table 9.2 (Page A84)

Table 9.4 (Page A85)

MATCHED ANGULAR CONTACT BALL BEARINGS Table 9.2 (Page A84)

Table 9.4 (Page A85)

DOUBLE-ROW ANGULAR CONTACT BALL BEARINGS Table 9.2 (Page A84)

Table 9.4 (Page A85)

FOUR-POINT CONTACT BALL BEARINGS Table 9.2 (Page A84)

Table 9.4 (Page A85)

INTERNAL CLEARANCES

MATCHED ANGULAR CONTACT BALL BEARINGS Table 9.17 (Page A94)

Matched angular contact ball bearings with precision better than P5 are primarily used in the main spindles of machine tools, so they are used with a preload for rigidity. For convenience of selection, internal clearances are adjusted to produce Very Light, Light, Medium, and Heavy Preloads. Their fitting is also special. Concerning these matters, please refer to Tables 10.1 and 10.2 (Pages A98 and A99).

The clearance (or preload) of matched bearings is obtained by axially tightening a pair of bearings till the side faces of their inner or outer rings are pressed against each other.

NSKHPS ANGULAR CONTACT BALL BEARINGS

Axial Internal Clearance (Measured Clearances) Units : μm

Nominal Bore Diameter d (mm)	Axial Internal Clearance					
	CNB		CA			
over	incl.	min.	max.	min.	max.	
12	18	17	25			
18	30	20	28	-2	6	
30	50	24	32			
50	80	29	41	-3	9	

DOUBLE-ROW ANGULAR CONTACT BALL BEARINGS

For the clearance in double-row angular contact ball bearings, please consult with NSK.

FOUR-POINT CONTACT BALL BEARINGS Table 9.18 (Page A94)

LIMITING SPEEDS

In cases of single-row and matched angular contact ball bearings, the Limiting speeds listed in the bearing table are for bearings with machined cage. For those with pressed cages, the listed speeds must be reduced by 20%.

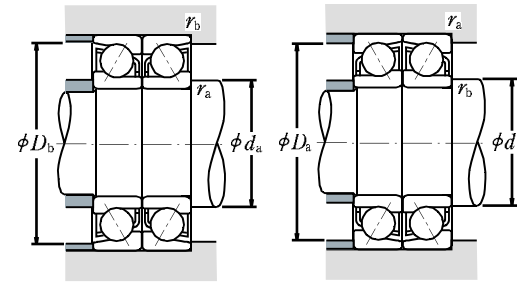
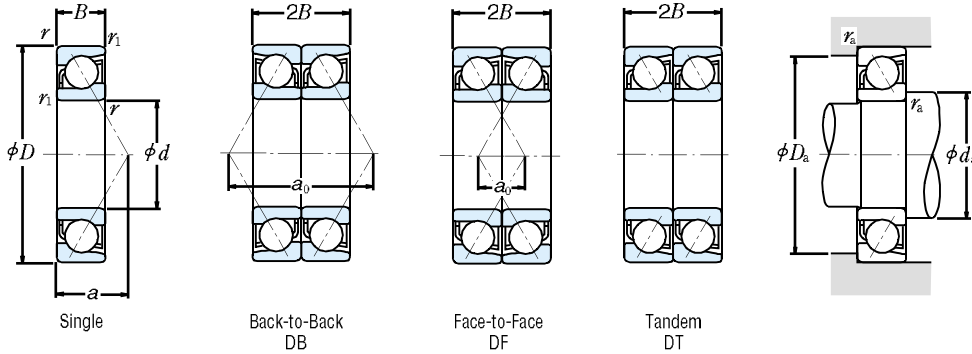
The limiting speeds of bearings with contact angles of 15° (Symbol **C**) and 25° (Symbol **A5**) are for bearings with precision of P5 and better (with machined synthetic-resin cages or molded polyamide cages).

The limiting speeds listed in the bearing tables should be adjusted depending on the bearing load conditions. Also, higher speeds are attainable by making changes in the lubrication method, cage design, etc. Refer to Page A37 for detailed information.

ANGULAR CONTACT BALL BEARINGS

SINGLE/MATCHED MOUNTINGS

Bore Diameter 10 – 15 mm



Dynamic Equivalent Load $P = X F_r + Y F_a$

Contact Angle	$i \frac{f_0 F_a}{C_{0r}}$	e	Single, DT				DB or DF			
			$F_a/F_r \leq e$		$F_a/F_r > e$		$F_a/F_r \leq e$		$F_a/F_r > e$	
			X	Y	X	Y	X	Y	X	Y
15°	0.178	0.38	1	0	0.44	1.47	1	1.65	0.72	2.39
	0.357	0.40	1	0	0.44	1.40	1	1.57	0.72	2.28
	0.714	0.43	1	0	0.44	1.30	1	1.46	0.72	2.11
	1.07	0.46	1	0	0.44	1.23	1	1.38	0.72	2.00
	1.43	0.47	1	0	0.44	1.19	1	1.34	0.72	1.93
	2.14	0.50	1	0	0.44	1.12	1	1.26	0.72	1.82
	3.57	0.55	1	0	0.44	1.02	1	1.14	0.72	1.66
	5.35	0.56	1	0	0.44	1.00	1	1.12	0.72	1.63
25°	—	0.68	1	0	0.41	0.87	1	0.92	0.67	1.41
30°	—	0.80	1	0	0.39	0.76	1	0.78	0.63	1.24
40°	—	1.14	1	0	0.35	0.57	1	0.55	0.57	0.93

*For i , use 2 for DB, DF and 1 for DT

Static Equivalent Load $P_0 = X_0 F_r + Y_0 F_a$

Contact Angle	Single, DT		DB or DF		Single or DT mounting when $F_a > 0.5 F_r + Y_0 F_a$ use $P_0 = F_r$
	X_0	Y_0	X_0	Y_0	
15°	0.5	0.46	1	0.92	
25°	0.5	0.38	1	0.76	
30°	0.5	0.33	1	0.66	
40°	0.5	0.26	1	0.52	

Boundary Dimensions (mm)	Basic Load Ratings (Single) (kgf)				Factor f_0	Limiting Speeds (1) (min ⁻¹)		Eff. Load Centers (mm) a	Abutment and Fillet Dimensions (mm)			Mass (kg) approx.					
	d	D	B	r		C_r	C_{0r}		Grease	Oil	d_a min.		D_a max.	r_a max.			
10	22	6	0.3	0.15	2 880	1 450	294	148	—	40 000	56 000	6.7	12.5	19.5	0.3	0.009	
	22	6	0.3	0.15	3 000	1 520	305	155	14.1	48 000	63 000	5.1	12.5	19.5	0.3	0.009	
	26	8	0.3	0.15	5 350	2 600	550	266	—	32 000	43 000	9.2	12.5	23.5	0.3	0.019	
	26	8	0.3	0.15	5 300	2 490	540	254	12.6	45 000	63 000	6.4	12.5	23.5	0.3	0.021	
	30	9	0.6	0.3	5 400	2 710	555	276	—	28 000	38 000	10.3	15	25	0.6	0.032	
	30	9	0.6	0.3	5 000	2 500	510	255	—	20 000	28 000	12.9	15	25	0.6	0.032	
	30	9	0.6	0.3	5 400	2 610	550	266	13.2	40 000	56 000	7.2	15	25	0.6	0.036	
	35	11	0.6	0.3	9 300	4 300	950	440	—	20 000	26 000	12.0	15	30	0.6	0.053	
	35	11	0.6	0.3	8 750	4 050	890	410	—	18 000	24 000	14.9	15	30	0.6	0.054	
	12	24	6	0.3	0.15	3 200	1 770	325	181	—	38 000	53 000	7.2	14.5	21.5	0.3	0.011
		24	6	0.3	0.15	3 350	1 860	340	189	14.7	45 000	63 000	5.4	14.5	21.5	0.3	0.011
		28	8	0.3	0.15	5 800	2 980	590	305	—	28 000	38 000	9.8	14.5	25.5	0.3	0.021
28		8	0.3	0.15	5 800	2 900	590	296	13.2	40 000	56 000	6.7	14.5	25.5	0.3	0.024	
32		10	0.6	0.3	8 000	4 050	815	410	—	26 000	34 000	11.4	17	27	0.6	0.037	
32		10	0.6	0.3	7 450	3 750	760	380	—	18 000	26 000	14.2	17	27	0.6	0.038	
32		10	0.6	0.3	8 150	3 750	830	380	—	20 000	30 000	14.2	17	27	0.6	0.036	
32		10	0.6	0.3	7 900	3 850	805	395	12.5	36 000	50 000	7.9	17	27	0.6	0.041	
37		12	1	0.6	9 450	4 500	965	460	—	18 000	24 000	13.1	18	31	1	0.060	
37		12	1	0.6	8 850	4 200	900	425	—	16 000	22 000	16.3	18	31	1	0.062	
37		12	1	0.6	11 100	4 950	1 130	505	—	18 000	26 000	16.3	18	31	1	0.061	
15		28	7	0.3	0.15	4 550	2 530	465	258	—	32 000	43 000	8.5	17.5	25.5	0.3	0.015
	28	7	0.3	0.15	4 750	2 640	485	270	14.5	38 000	53 000	6.4	17.5	25.5	0.3	0.015	
	32	9	0.3	0.15	6 100	3 450	625	350	—	24 000	32 000	11.3	17.5	29.5	0.3	0.030	
	32	9	0.3	0.15	6 250	3 400	635	345	14.1	34 000	48 000	7.6	17.5	29.5	0.3	0.034	
	35	11	0.6	0.3	8 650	4 650	880	475	—	22 000	30 000	12.7	20	30	0.6	0.045	
	35	11	0.6	0.3	7 950	4 300	810	440	—	16 000	22 000	16.0	20	30	0.6	0.046	
	35	11	0.6	0.3	9 800	4 800	995	490	—	18 000	26 000	16.0	20	30	0.6	0.044	
	35	11	0.6	0.3	8 650	4 550	885	460	13.2	32 000	45 000	8.8	20	30	0.6	0.052	
	42	13	1	0.6	13 400	7 100	1 370	720	—	16 000	22 000	14.7	21	36	1	0.084	
	42	13	1	0.6	12 500	6 600	1 270	670	—	14 000	19 000	18.5	21	36	1	0.086	
	42	13	1	0.6	14 300	6 900	1 460	705	—	16 000	22 000	18.5	21	36	1	0.084	

Notes (1) For applications operating near the limiting speed, refer to Page B49.
(2) The suffixes A, A5, B, and C represent contact angles of 30°, 25°, 40°, and 15° respectively.

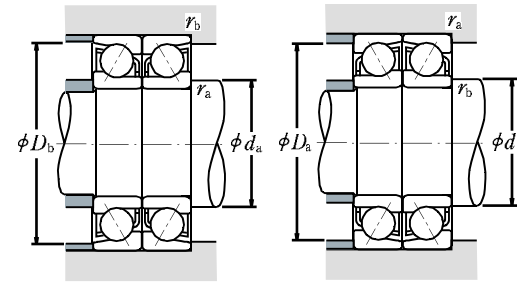
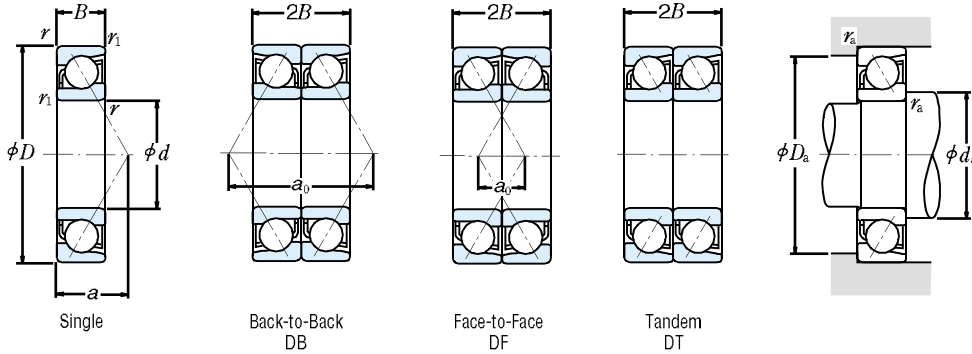
Bearing Numbers (°)	Basic Load Ratings (Matched) (N)				Limiting Speeds (1) (Matched) (min ⁻¹)		Load Center Spacing (mm)		Abutment and Fillet Dimensions (mm)		
	Single	Duplex	C_r	C_{0r}	Grease	Oil	DB	DF	d_b (3) min.	D_b max.	r_b (3) max.
7900 A5 DB DF DT	—	—	4 700	2 900	475	296	32 000	43 000	13.5	1.5	—
	7900 C DB DF DT	—	4 900	3 050	500	310	38 000	53 000	10.3	1.7	—
	7900 A DB DF DT	—	8 750	5 200	890	530	24 000	34 000	18.4	2.4	11.2
7000 C DB DF DT	—	—	8 650	5 000	880	510	36 000	50 000	12.8	3.2	—
	7200 A DB DF DT	—	8 800	5 400	900	555	22 000	30 000	20.5	2.5	12.5
	7200 B DB DF DT	—	8 100	5 000	825	510	16 000	22 000	25.8	7.8	12.5
7200 C DB DF DT	—	—	8 800	5 200	895	530	32 000	45 000	14.4	3.6	—
	7300 A DB DF DT	—	15 100	8 600	1 540	880	16 000	22 000	24.0	2.0	12.5
	7300 B DB DF DT	—	14 200	8 100	1 450	825	14 000	20 000	29.9	7.9	12.5
7901 A5 DB DF DT	—	—	5 200	3 550	530	360	30 000	43 000	14.4	2.4	—
	7901 C DB DF DT	—	5 450	3 700	555	380	36 000	50 000	10.8	1.2	—
	7901 A DB DF DT	—	9 400	5 950	955	610	22 000	30 000	19.5	3.5	13.2
7001 C DB DF DT	—	—	9 400	5 800	960	590	32 000	45 000	13.4	2.6	—
	7201 A DB DF DT	—	13 000	8 050	1 330	820	20 000	28 000	22.7	2.7	14.5
	7201 B DB DF DT	—	12 100	7 500	1 230	765	15 000	20 000	28.5	8.5	14.5
*7201 BEA	—	—	—	—	—	—	16 000	24 000	28.5	8.5	14.5
	7201 C DB DF DT	—	12 800	7 700	1 310	785	30 000	40 000	15.9	4.1	—
	7301 A DB DF DT	—	15 400	9 000	1 570	915	15 000	20 000	26.1	2.1	17
7301 B DB DF DT	—	—	14 400	8 400	1 460	855	13 000	18 000	32.6	8.6	17
	*7301 BEA	—	—	—	—	—	15 000	22 000	32.6	8.6	17
	7902 A5 DB DF DT	—	7 400	5 050	755	515	26 000	34 000	17.0	3.0	—
7902 C DB DF DT	—	7 750	5 300	790	540	30 000	43 000	12.8	1.2	—	
7200 A DB DF DT	—	9 950	6 850	1 010	700	19 000	26 000	22.6	4.6	16.2	
7200 C DB DF DT	—	—	10 100	6 750	1 030	690	28 000	38 000	15.3	2.7	—
	7202 A DB DF DT	—	14 000	9 300	1 430	950	18 000	24 000	25.4	3.4	17.5
	7202 B DB DF DT	—	12 900	8 600	1 310	875	13 000	18 000	32.0	10.0	17.5
*7202 BEA	—	—	—	—	—	—	14 000	20 000	32.0	10.0	17.5
	7202 C DB DF DT	—	14 100	9 050	1 440	925	26 000	36 000	17.7	4.3	—
	7302 A DB DF DT	—	21 800	14 200	2 220	1 440	13 000	17 000	29.5	3.5	20
7302 B DB DF DT	—	—	20 200	13 200	2 060	1 340	11 000	15 000	36.9	10.9	20
	*7302 BEA	—	—	—	—	—	13 000	18 000	36.9	10.9	20

Note (3) For bearings marked — in the column for d_b , D_b and r_b for shafts are d_a (min) and r_a (max) respectively.
Remarks The bearings denoted by an asterisk (*) are NSKHPS Angular contact ball bearings and the column of Duplex in Bearing Numbers indicates the universal matching.

ANGULAR CONTACT BALL BEARINGS

SINGLE/MATCHED MOUNTINGS

Bore Diameter 17 – 25 mm



Dynamic Equivalent Load $P = X F_r + Y F_a$

Contact Angle	$i \frac{f_0 F_0}{C_{0r}}$	e	Single, DT				DB or DF			
			$F_a/F_r \leq e$		$F_a/F_r > e$		$F_a/F_r \leq e$		$F_a/F_r > e$	
			X	Y	X	Y	X	Y	X	Y
15°	0.178	0.38	1	0	0.44	1.47	1	1.65	0.72	2.39
	0.357	0.40	1	0	0.44	1.40	1	1.57	0.72	2.28
	0.714	0.43	1	0	0.44	1.30	1	1.46	0.72	2.11
	1.07	0.46	1	0	0.44	1.23	1	1.38	0.72	2.00
	1.43	0.47	1	0	0.44	1.19	1	1.34	0.72	1.93
	2.14	0.50	1	0	0.44	1.12	1	1.26	0.72	1.82
	3.57	0.55	1	0	0.44	1.02	1	1.14	0.72	1.66
	5.35	0.56	1	0	0.44	1.00	1	1.12	0.72	1.63
25°	—	0.68	1	0	0.41	0.87	1	0.92	0.67	1.41
30°	—	0.80	1	0	0.39	0.76	1	0.78	0.63	1.24
40°	—	1.14	1	0	0.35	0.57	1	0.55	0.57	0.93

*For i , use 2 for DB, DF and 1 for DT

Static Equivalent Load $P_0 = X_0 F_r + Y_0 F_a$

Contact Angle	Single, DT		DB or DF		Single or DT mounting when $F_a > 0.5 F_r + Y_0 F_a$ use $P_0 = F_r$
	X_0	Y_0	X_0	Y_0	
15°	0.5	0.46	1	0.92	—
25°	0.5	0.38	1	0.76	—
30°	0.5	0.33	1	0.66	—
40°	0.5	0.26	1	0.52	—

Boundary Dimensions (mm)					Basic Load Ratings (Single) (kgf)				Factor f_0	Limiting Speeds ⁽¹⁾ (min ⁻¹)		Eff. Load Centers (mm) a	Abutment and Fillet Dimensions (mm)			Mass (kg) approx.
d	D	B	r min.	r_1 min.	C_r	C_{0r}	C_T	C_{0T}		Grease	Oil		d_a min.	D_a max.	r_a max.	
17	30	7	0.3	0.15	4 750	2 800	485	286	—	30 000	40 000	9.0	19.5	27.5	0.3	0.017
	30	7	0.3	0.15	5 000	2 940	510	299	14.8	34 000	48 000	6.6	19.5	27.5	0.3	0.017
	35	10	0.3	0.15	6 400	3 800	655	390	—	22 000	30 000	12.5	19.5	32.5	0.3	0.040
	35	10	0.3	0.15	6 600	3 800	675	390	14.5	32 000	43 000	8.5	19.5	32.5	0.3	0.044
	40	12	0.6	0.3	10 800	6 000	1 100	610	—	20 000	28 000	14.2	22	35	0.6	0.067
	40	12	0.6	0.3	9 950	5 500	1 010	565	—	14 000	19 000	18.0	22	35	0.6	0.068
	40	12	0.6	0.3	11 600	6 100	1 180	625	—	16 000	22 000	18.2	22	35	0.6	0.065
	40	12	0.6	0.3	10 900	5 850	1 110	595	13.3	28 000	38 000	9.8	22	35	0.6	0.075
	47	14	1	0.6	15 900	8 650	1 630	880	—	14 000	19 000	16.2	23	41	1	0.116
	47	14	1	0.6	14 800	8 000	1 510	820	—	13 000	17 000	20.4	23	41	1	0.118
	47	14	1	0.6	16 800	8 300	1 720	850	—	14 000	20 000	20.4	23	41	1	0.113
	20	37	9	0.3	0.15	6 600	4 050	675	410	—	24 000	32 000	11.1	22.5	34.5	0.3
37		9	0.3	0.15	6 950	4 250	710	430	14.9	28 000	38 000	8.3	22.5	34.5	0.3	0.036
42		12	0.6	0.3	10 800	6 600	1 110	670	—	18 000	24 000	14.9	25	37	0.6	0.068
42		12	0.6	0.3	11 100	6 550	1 130	665	14.0	26 000	36 000	10.1	25	37	0.6	0.076
47		14	1	0.6	14 500	8 300	1 480	845	—	17 000	22 000	16.7	26	41	1	0.106
47		14	1	0.6	13 300	7 650	1 360	780	—	12 000	16 000	21.1	26	41	1	0.109
47		14	1	0.6	15 600	8 150	1 590	830	—	13 000	19 000	21.1	26	41	1	0.103
47		14	1	0.6	14 600	8 050	1 480	825	13.3	24 000	34 000	11.5	26	41	1	0.118
52		15	1.1	0.6	18 700	10 400	1 910	1 060	—	13 000	17 000	17.9	27	45	1	0.146
52		15	1.1	0.6	17 300	9 650	1 770	985	—	11 000	15 000	22.6	27	45	1	0.15
52		15	1.1	0.6	19 800	10 500	2 020	1 070	—	13 000	18 000	22.6	27	45	1	0.149
25		42	9	0.3	0.15	7 450	5 150	760	525	—	20 000	28 000	12.3	27.5	39.5	0.3
	42	9	0.3	0.15	7 850	5 400	800	555	15.5	24 000	34 000	9.0	27.5	39.5	0.3	0.042
	47	12	0.6	0.3	11 300	7 400	1 150	750	—	16 000	22 000	16.4	30	42	0.6	0.079
	47	12	0.6	0.3	11 700	7 400	1 190	755	14.7	22 000	30 000	10.8	30	42	0.6	0.089
	52	15	1	0.6	16 200	10 300	1 650	1 050	—	15 000	20 000	18.6	31	46	1	0.13
	52	15	1	0.6	14 800	9 400	1 510	960	—	10 000	14 000	23.7	31	46	1	0.133
	52	15	1	0.6	17 600	10 200	1 790	1 040	—	12 000	17 000	23.7	31	46	1	0.127
	52	15	1	0.6	16 600	10 200	1 690	1 040	14.0	22 000	28 000	12.7	31	46	1	0.143
	62	17	1.1	0.6	26 400	15 800	2 690	1 610	—	10 000	14 000	21.1	32	55	1	0.235

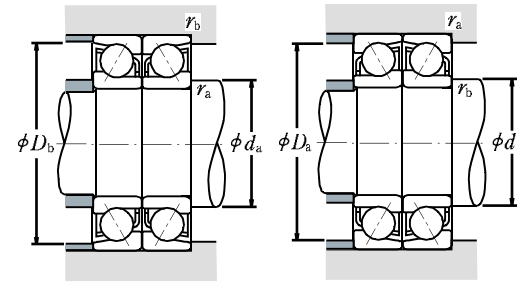
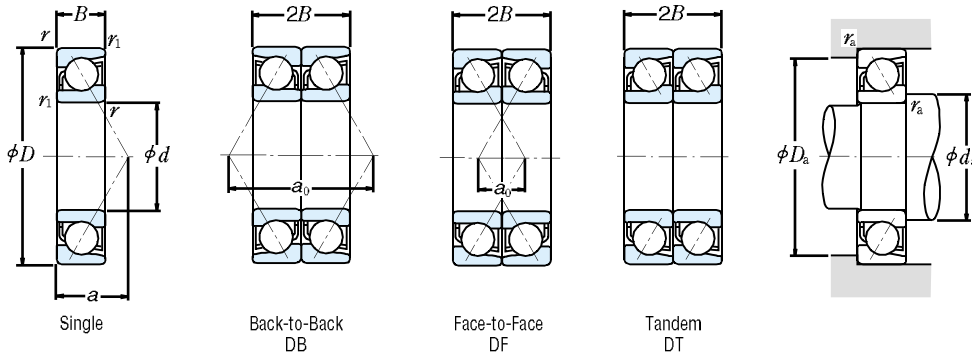
Notes (1) For applications operating near the limiting speed, refer to Page B49.
 (2) The suffixes A, A5, B, and C represent contact angles of 30°, 25°, 40°, and 15° respectively.

Bearing Numbers (°)		Basic Load Ratings (Matched) (kgf)				Limiting Speeds ⁽¹⁾ (Matched) (min ⁻¹)		Load Center Spacings (mm)		Abutment and Fillet Dimensions (mm)		
Single	Duplex	C_r	C_{0r}	C_T	C_{0T}	Grease	Oil	DB a_0	DF	d_b ⁽³⁾ min.	D_b max.	r_b ⁽³⁾ max.
7903 A5	DB DF DT	7 750	5 600	790	570	24 000	32 000	18.0	4.0	—	28.8	0.15
7903 C	DB DF DT	8 150	5 850	830	600	28 000	38 000	13.3	0.7	—	28.8	0.15
7903 A	DB DF DT	10 400	7 650	1 060	780	17 000	24 000	25.0	5.0	18.2	33.8	0.15
7003 C	DB DF DT	10 700	7 600	1 100	775	26 000	34 000	17.0	3.0	—	33.8	0.15
7203 A	DB DF DT	17 600	12 000	1 790	1 220	16 000	22 000	28.5	4.5	19.5	37.5	0.3
7203 B	DB DF DT	16 100	11 000	1 650	1 130	11 000	15 000	35.9	11.9	19.5	37.5	0.3
*7203 BEA	—	—	—	—	—	13 000	18 000	36.3	12.3	19.5	37.5	0.3
7203 C	DB DF DT	17 600	11 700	1 800	1 190	22 000	32 000	19.6	4.4	—	37.5	0.3
7303 A	DB DF DT	25 900	17 300	2 640	1 760	11 000	15 000	32.5	4.5	22	42	0.6
7303 B	DB DF DT	24 000	16 000	2 450	1 640	10 000	14 000	40.9	12.9	22	42	0.6
*7303 BEA	—	—	—	—	—	11 000	16 000	40.9	12.9	22	42	0.6
7904 A5	DB DF DT	10 700	8 100	1 090	825	19 000	26 000	22.3	4.3	—	35.8	0.15
7904 C	DB DF DT	11 300	8 500	1 150	865	22 000	32 000	16.6	1.4	—	35.8	0.15
7904 A	DB DF DT	17 600	13 200	1 800	1 340	15 000	20 000	29.9	5.9	22.5	39.5	0.3
7004 C	DB DF DT	18 000	13 100	1 840	1 330	20 000	30 000	20.3	3.7	—	39.5	0.3
7204 A	DB DF DT	23 500	16 600	2 400	1 690	13 000	19 000	33.3	5.3	25	42	0.6
7204 B	DB DF DT	21 600	15 300	2 210	1 560	9 500	13 000	42.1	14.1	25	42	0.6
*7204 BEA	—	—	—	—	—	11 000	16 000	42.1	14.1	25	42	0.6
7204 C	DB DF DT	23 600	16 100	2 410	1 650	19 000	26 000	23.0	5.0	—	42	0.6
7304 A	DB DF DT	30 500	20 800	3 100	2 130	10 000	13 000	35.8	5.8	25	47	0.6
7304 B	DB DF DT	28 200	19 300	2 870	1 970	9 000	12 000	45.2	15.2	25	47	0.6
*7304 BEA	—	—	—	—	—	10 000	14 000	45.2	15.2	25	47	0.6
7905 A5	DB DF DT	12 100	10 300	1 230	1 050	16 000	22 000	24.6	6.6	—	40.8	0.15
7905 C	DB DF DT	12 700	10 800	1 300	1 110	19 000	26 000	18.0	0.0	—	40.8	0.15
7905 A	DB DF DT	18 300	14 800	1 870	1 510	13 000	17 000	32.8	8.8	27.5	44.5	0.3
7005 C	DB DF DT	19 000	14 800	1 940	1 510	18 000	26 000	21.6	2.4	—	44.5	0.3
7205 A	DB DF DT	26 300	20 500	2 690	2 090	12 000	16 000	37.2	7.2	30	47	0.6
7205 B	DB DF DT	24 000	18 800	2 450	1 920	8 500	11 000	47.3	17.3	30	47	0.6
*7205 BEA	—	—	—	—	—	9 500	14 000	47.3	17.3	30	47	0.6
7205 C	DB DF DT	27 000	20 400	2 750	2 080	17 000	24 000	25.3	4.7	—	47	0.6
7305 A	DB DF DT	43 000	31 500	4 400	3 250	8 500	11 000	42.1	8.1	30	57	0.6

ANGULAR CONTACT BALL BEARINGS

SINGLE/MATCHED MOUNTINGS

Bore Diameter 25 – 40 mm



Boundary Dimensions (mm)	Basic Load Ratings (Single) (kgf)				Factor f_0	Limiting Speeds ⁽¹⁾ (min ⁻¹)		Eff. Load Centers (mm) a	Abutment and Fillet Dimensions (mm)			Mass (kg) approx.
	d	D	B	r min.		r_1 min.	C_r		C_{0r}	Grease	Oil	
25	62	17	1.1	0.6	—	9 000	13 000	26.7	32	55	1	0.241
	62	17	1.1	0.6	—	10 000	15 000	26.8	32	55	1	0.229
30	47	9	0.3	0.15	—	18 000	24 000	13.5	32.5	44.5	0.3	0.049
	47	9	0.3	0.15	15.9	22 000	28 000	9.7	32.5	44.5	0.3	0.049
	55	13	1	0.6	—	13 000	18 000	18.8	36	49	1	0.116
	55	13	1	0.6	—	15 100	10 300	14.9	36	49	1	0.134
35	62	16	1	0.6	—	12 000	17 000	21.3	36	56	1	0.197
	62	16	1	0.6	—	20 500	13 500	20.9	36	56	1	0.202
	62	16	1	0.6	—	23 700	14 300	24.2	36	56	1	0.194
	72	19	1.1	0.6	13.9	18 000	24 000	14.2	36	56	1	0.222
40	72	19	1.1	0.6	—	9 000	12 000	27.3	37	65	1	0.346
	72	19	1.1	0.6	—	31 000	19 300	30.9	37	65	1	0.354
	72	19	1.1	0.6	—	36 500	20 600	30.9	37	65	1	0.336
	80	21	1.5	1	15.7	15 000	20 000	11.0	40	50	0.6	0.074
40	62	14	1	0.6	—	12 100	9 150	11.0	40	50	0.6	0.074
	62	14	1	0.6	—	18 300	13 400	21.0	41	56	1	0.153
	62	14	1	0.6	15.0	17 000	22 000	13.5	41	56	1	0.173
	72	17	1.1	0.6	—	10 000	14 000	23.9	42	65	1	0.287
40	72	17	1.1	0.6	—	7 500	10 000	30.9	42	65	1	0.294
	72	17	1.1	0.6	—	32 500	19 600	30.9	42	65	1	0.271
	72	17	1.1	0.6	13.9	15 000	20 000	15.7	42	65	1	0.32
	80	21	1.5	1	—	8 000	10 000	27.1	44	71	1.5	0.464
40	80	21	1.5	1	—	7 100	9 500	34.6	44	71	1.5	0.474
	80	21	1.5	1	—	40 500	24 400	34.6	44	71	1.5	0.451
	62	12	0.6	0.3	—	14 300	11 200	17.9	45	57	0.6	0.11
	62	12	0.6	0.3	15.7	15 100	11 700	12.8	45	57	0.6	0.109
40	68	15	1	0.6	—	19 500	15 400	23.1	46	62	1	0.19
	68	15	1	0.6	15.4	20 600	15 900	14.7	46	62	1	0.213
	80	18	1.1	0.6	—	35 500	25 100	26.3	47	73	1	0.375
	80	18	1.1	0.6	—	32 000	23 000	34.2	47	73	1	0.383

Notes ⁽¹⁾ For applications operating near the limiting speed, refer to Page B49.
⁽²⁾ The suffixes A, A5, B, and C represent contact angles of 30°, 25°, 40°, and 15° respectively.

Dynamic Equivalent Load $P = X F_r + Y F_a$

Contact Angle	$i \frac{f_0 L_0}{C_{0r}}$	e	Single, DT				DB or DF			
			$F_a/F_r \leq e$		$F_a/F_r > e$		$F_a/F_r \leq e$		$F_a/F_r > e$	
			X	Y	X	Y	X	Y	X	Y
15°	0.178	0.38	1	0	0.44	1.47	1	1.65	0.72	2.39
	0.357	0.40	1	0	0.44	1.40	1	1.57	0.72	2.28
	0.714	0.43	1	0	0.44	1.30	1	1.46	0.72	2.11
	1.07	0.46	1	0	0.44	1.23	1	1.38	0.72	2.00
	1.43	0.47	1	0	0.44	1.19	1	1.34	0.72	1.93
	2.14	0.50	1	0	0.44	1.12	1	1.26	0.72	1.82
	3.57	0.55	1	0	0.44	1.02	1	1.14	0.72	1.66
	5.35	0.56	1	0	0.44	1.00	1	1.12	0.72	1.63
25°	—	0.68	1	0	0.41	0.87	1	0.92	0.67	1.41
30°	—	0.80	1	0	0.39	0.76	1	0.78	0.63	1.24
40°	—	1.14	1	0	0.35	0.57	1	0.55	0.57	0.93

*For i , use 2 for DB, DF and 1 for DT

Static Equivalent Load $P_0 = X_0 F_r + Y_0 F_a$

Contact Angle	Single, DT		DB or DF		Single or DT mounting when $F_r > 0.5 F_r + Y_0 F_a$ use $P_0 = F_r$
	X_0	Y_0	X_0	Y_0	
15°	0.5	0.46	1	0.92	—
25°	0.5	0.38	1	0.76	—
30°	0.5	0.33	1	0.66	—
40°	0.5	0.26	1	0.52	—

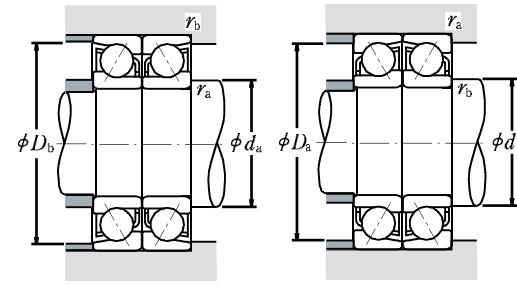
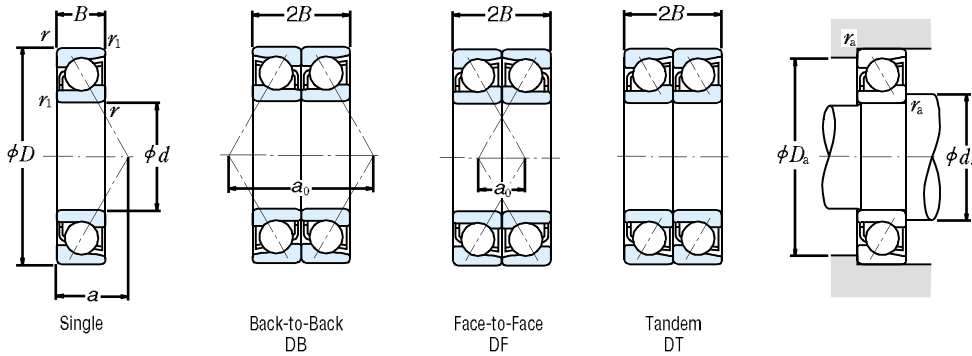
Bearing Numbers (°)	Basic Load Ratings (Matched) (kgf)				Limiting Speeds ⁽¹⁾ (Matched) (min ⁻¹)		Load Center Spacings (mm)		Abutment and Fillet Dimensions (mm)				
	Single	Duplex	C_r	C_{0r}	Grease	Oil	DB	DF	d_b ⁽³⁾ min.	D_b max.	r_b ⁽³⁾ max.		
7305 B DB DF DT	—	—	39 500	29 300	4 050	2 980	7 500	10 000	53.5	19.5	30	57	0.6
*7305 BEA	—	—	—	—	—	—	8 500	12 000	53.5	19.5	30	57	0.6
7906 A5 DB DF DT	—	—	12 800	11 900	1 300	1 210	14 000	19 000	27.0	9.0	—	45.8	0.15
7906 C DB DF DT	—	—	13 500	12 500	1 380	1 280	17 000	24 000	19.3	1.3	—	45.8	0.15
7006 A DB DF DT	—	—	23 600	20 200	2 410	2 060	11 000	15 000	37.5	11.5	35	50	0.6
7006 C DB DF DT	—	—	24 600	20 500	2 510	2 090	15 000	22 000	24.4	1.6	—	50	0.6
7206 A DB DF DT	—	—	36 500	29 500	3 750	3 000	10 000	13 000	42.6	10.6	35	57	0.6
7206 B DB DF DT	—	—	33 500	27 000	3 400	2 760	7 100	9 500	54.6	22.6	35	57	0.6
*7206 BEA	—	—	—	—	—	—	8 000	11 000	54.6	22.6	35	57	0.6
7206 C DB DF DT	—	—	37 500	29 300	3 800	2 990	14 000	20 000	28.3	3.7	—	57	0.6
7306 A DB DF DT	—	—	54 500	41 500	5 600	4 250	7 100	9 500	48.4	10.4	35	67	0.6
7306 B DB DF DT	—	—	50 500	38 500	5 150	3 950	6 300	8 500	61.8	23.8	35	67	0.6
*7306 BEA	—	—	—	—	—	—	7 100	10 000	61.8	23.8	35	67	0.6
7907 A5 DB DF DT	—	—	18 600	17 400	1 890	1 770	12 000	17 000	31.0	11.0	—	52.5	0.3
7907 C DB DF DT	—	—	19 600	18 300	2 000	1 860	14 000	20 000	22.1	2.1	—	52.5	0.3
7007 A DB DF DT	—	—	29 700	26 800	3 050	2 740	9 500	13 000	42.0	14.0	40	57	0.6
7007 C DB DF DT	—	—	31 000	27 300	3 150	2 790	13 000	19 000	27.0	1.0	—	57	0.6
7207 A DB DF DT	—	—	48 500	40 000	4 900	4 100	8 500	12 000	47.9	13.9	40	67	0.6
7207 B DB DF DT	—	—	44 000	36 500	4 500	3 750	6 000	8 000	61.9	27.9	40	67	0.6
*7207 BEA	—	—	—	—	—	—	6 700	9 500	61.9	27.9	40	67	0.6
7207 C DB DF DT	—	—	49 500	40 000	5 050	4 050	12 000	17 000	31.3	2.7	—	67	0.6
7307 A DB DF DT	—	—	65 000	52 500	6 600	5 350	6 300	8 500	54.2	12.2	41	74	1
7307 B DB DF DT	—	—	59 500	48 500	6 100	4 950	5 600	7 500	69.2	27.2	41	74	1
*7307 BEA	—	—	—	—	—	—	6 300	9 000	69.2	27.2	41	74	1
7908 A5 DB DF DT	—	—	23 300	22 300	2 370	2 270	11 000	15 000	35.8	11.8	—	59.5	0.3
7908 C DB DF DT	—	—	24 600	23 500	2 510	2 390	13 000	18 000	25.7	1.7	—	59.5	0.3
7008 A DB DF DT	—	—	31 500	31 000	3 250	3 150	8 500	11 000	46.2	16.2	45	63	0.6
7008 C DB DF DT	—	—	33 500	32 000	3 400	3 250	12 000	17 000	29.5	0.5	—	63	0.6
7208 A DB DF DT	—	—	57 500	50 500	5 850	5 150	7 500	10 000	52.6	16.6	45	75	0.6
7208 B DB DF DT	—	—	52 000	46 000	5 300	4 700	5 300	7 500	68.3	32.3	45	75	0.6

Note ⁽³⁾ For bearings marked — in the column for d_b , D_b and r_b for shafts are d_a (min.) and r_a (max.) respectively.
Remarks The bearings denoted by an asterisk (*) are NSKHPS Angular contact ball bearings and the column of Duplex in Bearing Numbers indicates the universal matching.

ANGULAR CONTACT BALL BEARINGS

SINGLE/MATCHED MOUNTINGS

Bore Diameter 40 – 55 mm



Dynamic Equivalent Load $P = X F_r + Y F_a$

Contact Angle	$i \frac{f_0 L_0}{C_{or}}$	e	Single, DT				DB or DF			
			$F_a/F_r \leq e$		$F_a/F_r > e$		$F_a/F_r \leq e$		$F_a/F_r > e$	
			X	Y	X	Y	X	Y	X	Y
15°	0.178	0.38	1	0	0.44	1.47	1	1.65	0.72	2.39
	0.357	0.40	1	0	0.44	1.40	1	1.57	0.72	2.28
	0.714	0.43	1	0	0.44	1.30	1	1.46	0.72	2.11
	1.07	0.46	1	0	0.44	1.23	1	1.38	0.72	2.00
	1.43	0.47	1	0	0.44	1.19	1	1.34	0.72	1.93
	2.14	0.50	1	0	0.44	1.12	1	1.26	0.72	1.82
	3.57	0.55	1	0	0.44	1.02	1	1.14	0.72	1.66
	5.35	0.56	1	0	0.44	1.00	1	1.12	0.72	1.63
25°	—	0.68	1	0	0.41	0.87	1	0.92	0.67	1.41
30°	—	0.80	1	0	0.39	0.76	1	0.78	0.63	1.24
40°	—	1.14	1	0	0.35	0.57	1	0.55	0.57	0.93

*For i , use 2 for DB, DF and 1 for DT

Static Equivalent Load $P_0 = X_0 F_r + Y_0 F_a$

Contact Angle	Single, DT		DB or DF		Single or DT mounting when $F_a > 0.5 F_r + Y_0 F_a$ use $P_0 = F_r$
	X_0	Y_0	X_0	Y_0	
15°	0.5	0.46	1	0.92	
25°	0.5	0.38	1	0.76	
30°	0.5	0.33	1	0.66	
40°	0.5	0.26	1	0.52	

Boundary Dimensions (mm)	Basic Load Ratings (Single) (N)				Factor f_0	Limiting Speeds ⁽¹⁾ (min ⁻¹)		Eff. Load Centers (mm) a	Abutment and Fillet Dimensions (mm)			Mass (kg) approx.
	d	D	B	r		r_1	Grease		Oil	d_a min.	D_a max.	
40	80	18	1.1	0.6	—	7 500	11 000	34.2	47	73	1	0.357
	80	18	1.1	0.6	14.1	14 000	19 000	17.0	47	73	1	0.418
	90	23	1.5	1	—	7 100	9 000	30.3	49	81	1.5	0.633
45	80	23	1.5	1	—	6 300	8 500	38.8	49	81	1.5	0.648
	90	23	1.5	1	—	7 100	10 000	38.8	49	81	1.5	0.619
	80	12	0.6	0.3	—	12 000	17 000	19.2	50	63	0.6	0.13
45	68	12	0.6	0.3	16.0	14 000	20 000	13.6	50	63	0.6	0.129
	75	16	1	0.6	—	9 500	13 000	25.3	51	69	1	0.25
	85	19	1.1	0.6	—	8 500	12 000	28.3	52	78	1	0.411
50	85	19	1.1	0.6	—	6 300	8 500	36.8	52	78	1	0.421
	85	19	1.1	0.6	—	7 100	10 000	36.8	52	78	1	0.40
	100	25	1.5	1	—	6 300	8 500	33.4	54	91	1.5	0.848
50	100	25	1.5	1	—	5 600	7 500	42.9	54	91	1.5	0.869
	100	25	1.5	1	—	6 300	9 000	42.9	54	91	1.5	0.823
	72	12	0.6	0.3	—	11 000	15 000	20.2	55	67	0.6	0.132
50	72	12	0.6	0.3	16.2	13 000	18 000	14.2	55	67	0.6	0.13
	80	16	1	0.6	—	8 500	12 000	26.8	56	74	1	0.263
	80	16	1	0.6	—	12 000	17 000	16.7	56	74	1	0.293
55	90	20	1.1	0.6	—	8 000	11 000	30.2	57	83	1	0.466
	90	20	1.1	0.6	—	5 600	8 000	39.4	57	83	1	0.477
	90	20	1.1	0.6	—	6 300	9 500	39.4	57	83	1	0.453
55	90	20	1.1	0.6	14.5	12 000	16 000	19.4	57	83	1	0.528
	110	27	2	1	—	5 600	7 500	36.6	60	100	2	1.1
	110	27	2	1	—	5 000	6 700	47.1	60	100	2	1.12
55	110	27	2	1	—	5 600	8 000	47.1	60	100	2	1.07
	80	13	1	0.6	—	10 000	14 000	22.2	61	74	1	0.184
	80	13	1	0.6	16.3	12 000	16 000	15.5	61	74	1	0.182
55	90	18	1.1	0.6	—	7 500	11 000	29.9	62	83	1	0.391

Notes (1) For applications operating near the limiting speed, refer to Page B49.
 (2) The suffixes A, A5, B, and C represent contact angles of 30°, 25°, 40°, and 15° respectively.

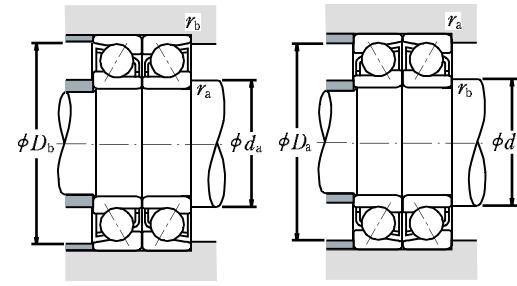
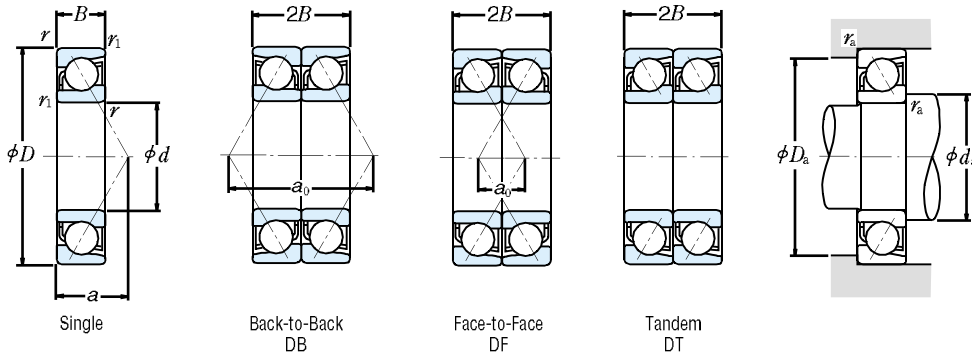
Bearing Numbers (°)	Basic Load Ratings (Matched) (N)				Limiting Speeds ⁽¹⁾ (Matched) (min ⁻¹)		Load Center Spacings (mm)		Abutment and Fillet Dimensions (mm)		
	Single	Duplex	C_r	C_{0r}	Grease	Oil	DB	DF	d_b ⁽³⁾ min.	D_b max.	r_b ⁽³⁾ max.
*7208 BEA	—	—	—	—	6 000	8 500	68.3	32.3	45	75	0.6
	7208 C DB DF DT	—	59 000	50 500	6 000	5 150	11 000	15 000	34.1	1.9	—
	7308 A DB DF DT	—	79 500	66 000	8 100	6 700	5 600	7 500	60.5	14.5	46
7308 B DB DF DT	—	—	73 000	60 500	7 400	6 200	5 000	6 700	77.5	31.5	46
	*7308 BEA	—	—	—	5 600	8 000	77.5	31.5	46	84	1
7909 A5 DB DF DT	—	—	24 600	25 400	2 510	2 590	9 500	13 000	38.4	14.4	—
	7909 C DB DF DT	—	26 000	26 800	2 680	2 730	12 000	16 000	27.1	3.1	—
	7909 A DB DF DT	—	37 500	37 500	3 850	3 800	7 500	10 000	50.6	18.6	50
7900 C DB DF DT	—	—	39 500	38 500	4 050	3 950	11 000	15 000	32.1	0.1	—
	7209 A DB DF DT	—	64 500	57 500	6 550	5 850	7 100	9 500	56.5	18.5	50
	7209 B DB DF DT	—	58 500	52 500	5 950	5 350	5 000	6 700	73.5	35.5	50
*7209 BEA	—	—	—	—	5 600	8 000	73.5	35.5	50	80	0.6
	7902 C DB DF DT	—	66 500	57 500	6 750	5 850	10 000	14 000	36.4	1.6	—
	7309 A DB DF DT	—	103 000	87 000	10 500	8 900	5 000	6 700	66.9	16.9	51
7309 B DB DF DT	—	—	95 000	80 500	9 650	8 200	4 500	6 000	85.8	35.8	51
	*7309 BEA	—	—	—	5 000	7 100	85.8	35.8	51	94	1
7901 A5 DB DF DT	—	—	25 900	28 400	2 640	2 900	9 000	12 000	40.5	16.5	—
	7901 C DB DF DT	—	27 400	30 000	2 800	3 050	11 000	15 000	28.3	4.3	—
	7001 A DB DF DT	—	40 000	42 000	4 050	4 300	7 100	9 500	53.5	21.5	55
7001 C DB DF DT	—	—	42 000	44 000	4 300	4 450	10 000	14 000	33.4	1.4	—
	7201 A DB DF DT	—	67 000	63 000	6 850	6 400	6 300	9 000	60.4	20.4	55
	7201 B DB DF DT	—	60 500	57 000	6 200	5 850	4 500	6 300	78.7	38.7	55
*7201 BEA	—	—	—	—	5 000	7 500	78.7	38.7	55	85	0.6
	7201 C DB DF DT	—	69 500	63 500	7 100	6 450	9 500	13 000	38.7	1.3	—
	7301 A DB DF DT	—	121 000	104 000	12 300	10 600	4 500	6 000	73.2	19.2	56
7310 B DB DF DT	—	—	111 000	96 000	11 300	9 800	4 000	5 600	94.1	40.1	56
	*7301 BEA	—	—	—	4 500	6 700	94.1	40.1	56	104	1
7911 A5 DB DF DT	—	—	29 300	33 500	2 990	3 400	8 000	11 000	44.5	18.5	—
	7911 C DB DF DT	—	31 000	35 500	3 150	3 600	9 500	13 000	31.1	5.1	—
	7011 A DB DF DT	—	52 500	55 500	5 350	5 650	6 300	8 500	59.9	23.9	60

Note (3) For bearings marked — in the column for d_b , D_b and r_b for shafts are d_a (min.) and r_a (max.) respectively.
 Remarks The bearings denoted by an asterisk (*) are NSKHP Angular contact ball bearings and the column of Duplex in Bearing Numbers indicates the universal matching.

ANGULAR CONTACT BALL BEARINGS

SINGLE/MATCHED MOUNTINGS

Bore Diameter 55 – 65 mm



Dynamic Equivalent Load $P = X F_r + Y F_a$

Contact Angle	$i \frac{f_0 F_0}{C_r}$	e	Single, DT				DB or DF				
			$F_a/F_r \leq e$		$F_a/F_r > e$		$F_a/F_r \leq e$		$F_a/F_r > e$		
			X	Y	X	Y	X	Y	X	Y	
15°	0.178	0.38	1	0	0.44	1.47	1	1.65	0.72	2.39	
	0.357	0.40	1	0	0.44	1.40	1	1.57	0.72	2.28	
	0.714	0.43	1	0	0.44	1.30	1	1.46	0.72	2.11	
	1.07	0.46	1	0	0.44	1.23	1	1.38	0.72	2.00	
	1.43	0.47	1	0	0.44	1.19	1	1.34	0.72	1.93	
	2.14	0.50	1	0	0.44	1.12	1	1.26	0.72	1.82	
	3.57	0.55	1	0	0.44	1.02	1	1.14	0.72	1.66	
	5.35	0.56	1	0	0.44	1.00	1	1.12	0.72	1.63	
	25°	—	0.68	1	0	0.41	0.87	1	0.92	0.67	1.41
	30°	—	0.80	1	0	0.39	0.76	1	0.78	0.63	1.24
40°	—	1.14	1	0	0.35	0.57	1	0.55	0.57	0.93	

*For i , use 2 for DB, DF and 1 for DT

Static Equivalent Load $P_0 = X_0 F_r + Y_0 F_a$

Contact Angle	Single, DT		DB or DF		Single or DT mounting when $F_a > 0.5 F_r + Y_0 F_a$ use $P_0 = F_r$
	X_0	Y_0	X_0	Y_0	
15°	0.5	0.46	1	0.92	
25°	0.5	0.38	1	0.76	
30°	0.5	0.33	1	0.66	
40°	0.5	0.26	1	0.52	

Boundary Dimensions (mm)	Basic Load Ratings (Single) (N)				Factor f_0	Limiting Speeds (1) (min ⁻¹)		Eff. Load Centers (mm) a	Abutment and Fillet Dimensions (mm)			Mass (kg) approx.					
	d	D	B	r		C_r	C_{0r}		Grease	Oil	d_a min.		D_a max.	r_a max.			
55	90	18	1.1	0.6	34 000	28 600	3 500	2 920	15.5	11 000	15 000	18.7	62	83	1	0.43	
	100	21	1.5	1	51 000	39 500	5 200	4 050	—	7 100	10 000	32.9	64	91	1.5	0.613	
	100	21	1.5	1	46 500	36 000	4 700	3 700	—	5 300	7 100	43.0	64	91	1.5	0.627	
	100	21	1.5	1	51 500	37 000	5 250	3 800	—	6 000	8 500	43.0	64	91	1.5	0.596	
	100	21	1.5	1	53 000	40 000	5 400	4 100	14.5	10 000	14 000	20.9	64	91	1.5	0.688	
	120	29	2	1	86 000	61 500	8 750	6 250	—	5 000	6 700	39.8	65	110	2	1.41	
	120	29	2	1	79 000	56 500	8 050	5 750	—	4 500	6 300	51.2	65	110	2	1.45	
	120	29	2	1	89 000	58 500	9 100	6 000	—	5 000	7 500	51.2	65	110	2	1.36	
	60	85	13	1	0.6	18 300	17 700	1 870	1 810	—	9 500	13 000	23.4	66	79	1	0.197
		85	13	1	0.6	19 400	18 700	1 980	1 910	16.5	11 000	15 000	16.2	66	79	1	0.194
95		18	1.1	0.6	33 000	29 500	3 350	3 000	—	7 100	10 000	31.4	67	88	1	0.417	
95		18	1.1	0.6	35 000	30 500	3 600	3 150	15.7	10 000	14 000	19.4	67	88	1	0.46	
110		22	1.5	1	62 000	48 500	6 300	4 950	—	6 700	9 000	35.5	69	101	1.5	0.798	
110		22	1.5	1	56 000	44 500	5 700	4 550	—	4 800	6 300	46.7	69	101	1.5	0.815	
110		22	1.5	1	61 500	45 000	6 300	4 600	—	5 300	7 500	46.7	69	101	1.5	0.791	
110		22	1.5	1	64 000	49 000	6 550	5 000	14.4	9 500	13 000	22.4	69	101	1.5	0.889	
130		31	2.1	1.1	98 000	71 500	10 000	7 250	—	4 800	6 300	42.9	72	118	2	1.74	
130		31	2.1	1.1	90 000	65 500	9 200	6 700	—	4 300	5 600	55.4	72	118	2	1.78	
130	31	2.1	1.1	102 000	68 500	10 500	7 000	—	4 800	6 700	55.4	72	118	2	1.7		
65	90	13	1	0.6	19 100	19 400	1 940	1 980	—	9 000	12 000	24.6	71	84	1	0.211	
	90	13	1	0.6	20 200	20 500	2 060	2 090	16.7	10 000	14 000	16.9	71	84	1	0.208	
	100	18	1.1	0.6	35 000	33 000	3 550	3 350	—	6 700	9 500	32.8	72	93	1	0.455	
	100	18	1.1	0.6	37 000	34 500	3 800	3 500	15.9	10 000	13 000	20.0	72	93	1	0.493	
	120	23	1.5	1	70 500	58 000	7 150	5 900	—	6 000	8 500	38.2	74	111	1.5	1.03	
	120	23	1.5	1	63 500	52 500	6 500	5 350	—	4 300	6 000	50.3	74	111	1.5	1.05	
	120	23	1.5	1	70 000	53 500	7 150	5 450	—	4 800	7 100	50.3	74	111	1.5	1.01	
	120	23	1.5	1	73 000	58 500	7 450	6 000	14.6	9 000	12 000	23.9	74	111	1.5	1.14	
	140	33	2.1	1.1	111 000	82 000	11 300	8 350	—	4 300	6 000	46.1	77	128	2	2.12	
	140	33	2.1	1.1	102 000	75 500	10 400	7 700	—	3 800	5 300	59.5	77	128	2	2.17	
140	33	2.1	1.1	114 000	77 000	11 600	7 850	—	4 300	6 300	59.5	77	128	2	2.09		

Notes (1) For applications operating near the limiting speed, refer to Page B49.
(2) The suffixes A, A5, B, and C represent contact angles of 30°, 25°, 40°, and 15° respectively.

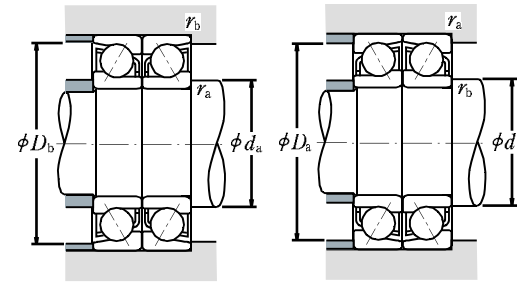
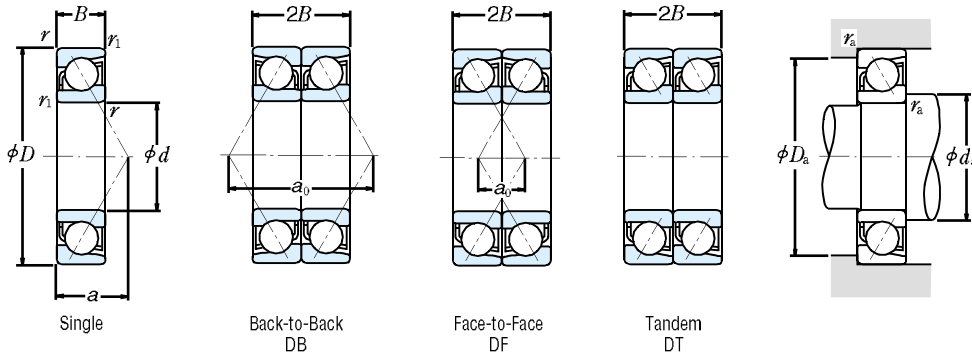
Bearing Numbers (°)	Basic Load Ratings (Matched) (N)				Limiting Speeds (1) (Matched) (min ⁻¹)		Load Center Spacings (mm)		Abutment and Fillet Dimensions (mm)		
	Single	Duplex	C_r	C_{0r}	Grease	Oil	DB	DF	d_b (3) min.	D_b max.	r_b (3) max.
7011 C DB DF DT	—	—	55 500	57 500	9 000	12 000	37.4	1.4	—	85	0.6
7211 A DB DF DT	—	—	83 000	79 000	6 000	8 000	65.7	23.7	61	94	1
7211 B DB DF DT	—	—	75 000	72 000	4 000	5 600	86.0	44.0	61	94	1
*7211 BEA	—	—	—	—	4 500	6 700	86.0	44.0	61	94	1
7211 C DB DF DT	—	—	86 000	80 000	8 800	8 150	8 500	12 000	41.7	0.3	—
7311 A DB DF DT	—	—	139 000	123 000	14 200	12 500	4 000	5 600	79.5	21.5	61
7311 B DB DF DT	—	—	128 000	113 000	13 100	11 500	3 600	5 000	102.4	44.4	61
*7311 BEA	—	—	—	—	4 000	6 000	102.4	44.4	61	114	1
7912 A5 DB DF DT	—	—	29 800	35 500	3 050	3 600	7 500	10 000	46.8	20.8	—
7912 C DB DF DT	—	—	31 500	37 500	3 200	3 800	9 000	12 000	32.4	6.4	—
7201 A DB DF DT	—	—	53 500	59 000	5 450	6 000	6 000	8 000	62.7	26.7	65
7201 C DB DF DT	—	—	57 000	61 500	5 800	6 250	8 500	12 000	38.8	2.8	—
7212 A DB DF DT	—	—	100 000	97 500	10 200	9 950	5 300	7 100	71.1	27.1	66
7212 B DB DF DT	—	—	91 000	89 000	9 300	9 050	3 800	5 300	93.3	49.3	66
*7212 BEA	—	—	—	—	4 300	6 000	93.3	49.3	66	104	1
7212 C DB DF DT	—	—	104 000	98 500	10 600	10 000	7 500	11 000	44.8	0.8	—
7312 A DB DF DT	—	—	159 000	143 000	16 200	14 500	3 800	5 000	85.9	23.9	67
7312 B DB DF DT	—	—	146 000	131 000	14 900	13 400	3 400	4 500	110.7	48.7	67
*7312 BEA	—	—	—	—	3 800	5 600	110.7	48.7	67	123	1
7913 A5 DB DF DT	—	—	31 000	39 000	3 150	3 950	7 100	9 500	49.1	23.1	—
7913 C DB DF DT	—	—	33 000	41 000	3 350	4 200	8 500	12 000	33.8	7.8	—
7301 A DB DF DT	—	—	56 500	65 500	5 750	6 700	5 600	7 500	65.6	29.6	70
7013 C DB DF DT	—	—	60 500	68 500	6 150	7 000	8 000	11 000	40.1	4.1	—
7213 A DB DF DT	—	—	114 000	116 000	11 600	11 800	4 800	6 700	76.4	30.4	71
7312 B DB DF DT	—	—	103 000	105 000	10 500	10 700	3 400	4 800	100.6	54.6	71
*7213 BEA	—	—	—	—	3 800	5 600	100.6	54.6	71	114	1
7213 C DB DF DT	—	—	119 000	117 000	12 100	12 000	7 100	9 500	47.8	1.8	—
7313 A DB DF DT	—	—	180 000	164 000	18 400	16 700	3 600	4 800	92.2	26.2	72
7313 B DB DF DT	—	—	166 000	151 000	16 900	15 400	3 200	4 300	119.0	53.0	72
*7313 BEA	—	—	—	—	3 600	5 000	119.0	53.0	72	133	1

Note (3) For bearings marked — in the column for d_b , D_b and r_b for shafts are d_a (min.) and r_a (max.) respectively.
Remarks The bearings denoted by an asterisk (*) are NSKHPS Angular contact ball bearings and the column of Duplex in Bearing Numbers indicates the universal matching.

ANGULAR CONTACT BALL BEARINGS

SINGLE/MATCHED MOUNTINGS

Bore Diameter 70 – 80 mm



Dynamic Equivalent Load $P = X F_r + Y F_a$

Contact Angle	$i \frac{f_0 F_0}{C_{0r}}$	e	Single, DT				DB or DF			
			$F_a/F_r \leq e$		$F_a/F_r > e$		$F_a/F_r \leq e$		$F_a/F_r > e$	
			X	Y	X	Y	X	Y	X	Y
15°	0.178	0.38	1	0	0.44	1.47	1	1.65	0.72	2.39
	0.357	0.40	1	0	0.44	1.40	1	1.57	0.72	2.28
	0.714	0.43	1	0	0.44	1.30	1	1.46	0.72	2.11
	1.07	0.46	1	0	0.44	1.23	1	1.38	0.72	2.00
	1.43	0.47	1	0	0.44	1.19	1	1.34	0.72	1.93
	2.14	0.50	1	0	0.44	1.12	1	1.26	0.72	1.82
	3.57	0.55	1	0	0.44	1.02	1	1.14	0.72	1.66
	5.35	0.56	1	0	0.44	1.00	1	1.12	0.72	1.63
25°	—	0.68	1	0	0.41	0.87	1	0.92	0.67	1.41
30°	—	0.80	1	0	0.39	0.76	1	0.78	0.63	1.24
40°	—	1.14	1	0	0.35	0.57	1	0.55	0.57	0.93

*For i , use 2 for DB, DF and 1 for DT

Static Equivalent Load $P_0 = X_0 F_r + Y_0 F_a$

Contact Angle	Single, DT		DB or DF		Single or DT mounting when $F_a > 0.5 F_r + Y_0 F_a$ use $P_0 = F_r$
	X_0	Y_0	X_0	Y_0	
15°	0.5	0.46	1	0.92	
25°	0.5	0.38	1	0.76	
30°	0.5	0.33	1	0.66	
40°	0.5	0.26	1	0.52	

	Boundary Dimensions (mm)					Basic Load Ratings (Single) (N)				Factor f_0	Limiting Speeds (1) (min ⁻¹)		Eff. Load Centers (mm) a	Abutment and Fillet Dimensions (mm)			Mass (kg) approx.
	d	D	B	r min.	r_1 min.	C_r	C_{0r}	C_r	C_{0r}		Grease	Oil		d_a min.	D_a max.	r_a max.	
70	100	16	1	0.6	—	26 500	26 300	2 710	2 680	—	8 000	11 000	27.8	76	94	1	0.341
	100	16	1	0.6	—	28 100	27 800	2 870	2 830	16.4	9 500	13 000	19.4	76	94	1	0.338
	110	20	1.1	0.6	—	44 000	41 500	4 500	4 200	—	6 300	8 500	36.0	77	103	1	0.625
	110	20	1.1	0.6	—	47 000	43 000	4 800	4 400	15.7	9 000	12 000	22.1	77	103	1	0.698
	125	24	1.5	1	—	76 500	63 500	7 800	6 500	—	5 600	8 000	40.1	79	116	1.5	1.11
	125	24	1.5	1	—	69 000	58 000	7 050	5 900	—	4 000	5 600	52.9	79	116	1.5	1.14
	125	24	1.5	1	—	75 500	58 500	7 700	6 000	—	4 500	6 700	52.9	79	116	1.5	1.08
	125	24	1.5	1	—	79 500	64 500	8 100	6 600	14.6	8 500	11 000	25.1	79	116	1.5	1.24
	150	35	2.1	1.1	—	125 000	93 500	12 700	9 550	—	4 000	5 300	49.3	82	138	2	2.6
	150	35	2.1	1.1	—	114 000	86 000	11 700	8 750	—	3 600	5 000	63.6	82	138	2	2.65
150	35	2.1	1.1	—	124 000	87 500	12 600	8 900	—	4 000	6 000	63.7	82	138	2	2.53	
75	105	16	1	0.6	—	26 900	27 700	2 750	2 820	—	7 500	10 000	29.0	81	99	1	0.355
	105	16	1	0.6	—	28 600	29 300	2 910	2 980	16.6	9 000	12 000	20.1	81	99	1	0.357
	115	20	1.1	0.6	—	45 000	43 500	4 600	4 450	—	6 000	8 000	37.4	82	108	1	0.661
	115	20	1.1	0.6	—	48 000	45 500	4 900	4 650	15.9	8 500	12 000	22.7	82	108	1	0.748
	130	25	1.5	1	—	76 000	64 500	7 750	6 550	—	5 600	7 500	42.1	84	121	1.5	1.19
	130	25	1.5	1	—	68 500	58 500	7 000	5 950	—	3 800	5 300	55.5	84	121	1.5	1.22
	130	25	1.5	1	—	78 500	63 500	8 000	6 450	—	4 300	6 300	55.5	84	121	1.5	1.18
	130	25	1.5	1	—	83 000	70 000	8 450	7 100	14.8	8 000	11 000	26.2	84	121	1.5	1.36
	160	37	2.1	1.1	—	136 000	106 000	13 800	10 800	—	3 800	5 000	52.4	87	148	2	3.13
	160	37	2.1	1.1	—	125 000	97 500	12 700	9 900	—	3 400	4 800	67.8	87	148	2	3.19
80	110	16	1	0.6	—	27 300	29 000	2 790	2 960	—	7 100	10 000	30.2	86	104	1	0.38
	110	16	1	0.6	—	29 000	30 500	2 960	3 150	16.7	8 500	12 000	20.7	86	104	1	0.376
	125	22	1.1	0.6	—	55 000	53 000	5 650	5 400	—	5 600	7 500	40.6	87	118	1	0.88
	125	22	1.1	0.6	—	58 500	55 500	6 000	5 650	15.7	8 000	11 000	24.7	87	118	1	0.966
	140	26	2	1	—	89 000	76 000	9 100	7 750	—	5 000	7 100	44.8	90	130	2	1.46
	140	26	2	1	—	80 500	69 500	8 200	7 050	—	3 600	5 000	59.1	90	130	2	1.49
	140	26	2	1	—	87 500	70 000	8 950	7 150	—	4 000	6 000	59.2	87	148	2	1.42
	140	26	2	1	—	93 000	77 500	9 450	7 900	14.7	7 500	10 000	27.7	90	130	2	1.63
	170	39	2.1	1.1	—	147 000	119 000	15 000	12 100	—	3 600	4 800	55.6	92	158	2	3.71
	170	39	2.1	1.1	—	135 000	109 000	13 800	11 100	—	3 200	4 300	71.9	92	158	2	3.79

Notes (1) For applications operating near the limiting speed, refer to Page B49.
(2) The suffixes A, A5, B, and C represent contact angles of 30°, 25°, 40°, and 15° respectively.

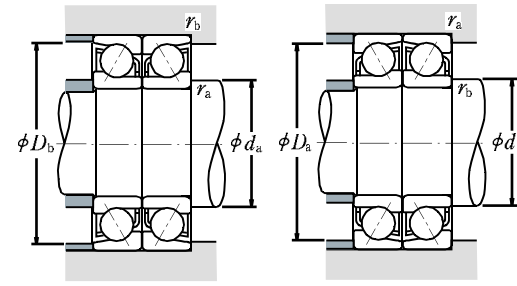
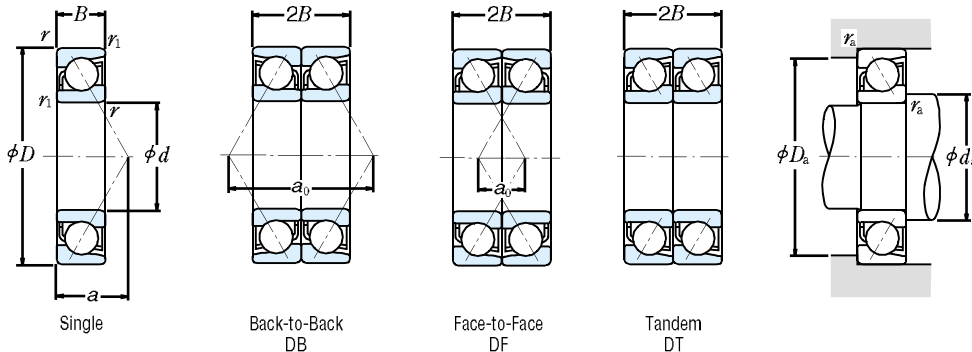
Bearing Numbers (°)	Basic Load Ratings (Matched) (N)				Limiting Speeds (1) (Matched) (min ⁻¹)		Load Center Spacings (mm)		Abutment and Fillet Dimensions (mm)		
	Single	Duplex	C_r	C_{0r}	Grease	Oil	DB	DF	d_b (3) min.	D_b max.	r_b (3) max.
7914 A5 DB DF DT	—	—	43 000	52 500	6 300	9 000	55.6	23.6	—	95	0.6
7914 C DB DF DT	—	—	45 500	55 500	7 500	11 000	38.8	6.8	—	95	0.6
7014 A DB DF DT	—	—	71 500	82 500	5 000	6 700	72.0	32.0	75	105	0.6
7014 C DB DF DT	—	—	76 000	86 000	7 100	10 000	44.1	4.1	—	105	0.6
7214 A DB DF DT	—	—	124 000	127 000	4 500	6 300	80.3	32.3	76	119	1
7214 B DB DF DT	—	—	112 000	116 000	3 200	4 500	105.8	57.8	76	119	1
*7214 BEA	—	—	—	—	3 600	5 300	105.8	57.8	76	119	1
7214 C DB DF DT	—	—	129 000	129 000	6 700	9 000	50.1	2.1	—	119	1
7314 A DB DF DT	—	—	203 000	187 000	3 200	4 300	98.5	28.5	77	143	1
7314 B DB DF DT	—	—	186 000	172 000	2 800	4 000	127.3	57.3	77	143	1
*7314 BEA	—	—	—	—	3 200	4 800	127.3	57.3	77	143	1
7915 A5 DB DF DT	—	—	44 000	55 500	6 000	8 500	58.0	26.0	—	100	0.6
7915 C DB DF DT	—	—	46 500	58 500	7 100	10 000	40.1	8.1	—	100	0.6
7015 A DB DF DT	—	—	73 000	87 500	4 800	6 700	74.8	34.8	80	110	0.6
7015 C DB DF DT	—	—	78 000	91 500	7 950	9 300	45.4	5.4	—	110	0.6
7215 A DB DF DT	—	—	123 000	129 000	4 300	6 000	84.2	34.2	81	124	1
7215 B DB DF DT	—	—	112 000	117 000	3 200	4 300	111.0	61.0	81	124	1
*7215 BEA	—	—	—	—	3 600	5 000	111.0	61.0	81	124	1
7215 C DB DF DT	—	—	134 000	140 000	6 300	9 000	52.4	2.4	—	124	1
7315 A DB DF DT	—	—	221 000	212 000	3 000	4 000	104.8	30.8	82	153	1
7315 B DB DF DT	—	—	202 000	195 000	2 800	3 800	135.6	61.6	82	153	1
7916 A5 DB DF DT	—	—	44 500	58 000	5 600	8 000	60.3	28.3	—	105	0.6
7916 C DB DF DT	—	—	47 000	61 500	4 800	6 250	41.5	9.5	—	105	0.6
7016 A DB DF DT	—	—	89 500	106 000	4 300	6 000	81.2	37.2	85	120	0.6
7016 C DB DF DT	—	—	95 500	111 000	9 700	11 300	49.4	5.4	—	120	0.6
7216 A DB DF DT	—	—	145 000	152 000	4 000	5 600	89.5	37.5	86	134	1
7216 B DB DF DT	—	—	131 000	139 000	3 300	4 400	118.3	66.3	86	134	1
*7216 BEA	—	—	—	—	3 200	4 800	118.3	66.3	82	153	1
7216 C DB DF DT	—	—	151 000	155 000	6 000	8 000	55.5	3.5	—	134	1
7316 A DB DF DT	—	—	239 000	238 000	2 800	3 800	111.2	33.2	87	163	1
7316 B DB DF DT	—	—	219 000	218 000	2 600	3 400	143.9	65.9	87	163	1

Note (3) For bearings marked — in the column for d_b , D_b and r_b for shafts are d_a (min.) and r_a (max.) respectively.
Remarks The bearings denoted by an asterisk (*) are NSKHP Angular contact ball bearings and the column of Duplex in Bearing Numbers indicates the universal matching.

ANGULAR CONTACT BALL BEARINGS

SINGLE/MATCHED MOUNTINGS

Bore Diameter 85 – 100 mm



Dynamic Equivalent Load $P = X F_r + Y F_a$

Contact Angle	$i \frac{f_0 F_0}{C_0}$	e	Single, DT				DB or DF				
			$F_a/F_r \leq e$		$F_a/F_r > e$		$F_a/F_r \leq e$		$F_a/F_r > e$		
			X	Y	X	Y	X	Y	X	Y	
15°	0.178	0.38	1	0	0.44	1.47	1	1.65	0.72	2.39	
	0.357	0.40	1	0	0.44	1.40	1	1.57	0.72	2.28	
	0.714	0.43	1	0	0.44	1.30	1	1.46	0.72	2.11	
	1.07	0.46	1	0	0.44	1.23	1	1.38	0.72	2.00	
	1.43	0.47	1	0	0.44	1.19	1	1.34	0.72	1.93	
	2.14	0.50	1	0	0.44	1.12	1	1.26	0.72	1.82	
	3.57	0.55	1	0	0.44	1.02	1	1.14	0.72	1.66	
	5.35	0.56	1	0	0.44	1.00	1	1.12	0.72	1.63	
	25°	—	0.68	1	0	0.41	0.87	1	0.92	0.67	1.41
	30°	—	0.80	1	0	0.39	0.76	1	0.78	0.63	1.24
40°	—	1.14	1	0	0.35	0.57	1	0.55	0.57	0.93	

*For i , use 2 for DB, DF and 1 for DT

Static Equivalent Load $P_0 = X_0 F_r + Y_0 F_a$

Contact Angle	Single, DT		DB or DF		Single or DT mounting when $F_r > 0.5 F_r + Y_0 F_a$ use $P_0 = F_r$
	X_0	Y_0	X_0	Y_0	
15°	0.5	0.46	1	0.92	
25°	0.5	0.38	1	0.76	
30°	0.5	0.33	1	0.66	
40°	0.5	0.26	1	0.52	

	Boundary Dimensions (mm)					Basic Load Ratings (Single) (N)				Factor f_0	Limiting Speeds ⁽¹⁾ (min ⁻¹)		Eff. Load Centers (mm) a	Abutment and Fillet Dimensions (mm)			Mass (kg) approx.
	d	D	B	r min.	r_1 min.	C_r	C_{0r}	C_r	C_{0r}		Grease	Oil		d_a min.	D_a max.	r_a max.	
85	120	18	1.1	0.6	—	36 500	38 500	3 750	3 900	—	6 700	9 000	32.9	92	113	1	0.541
	120	18	1.1	0.6	—	39 000	40 500	3 950	4 150	16.5	8 000	11 000	22.7	92	113	1	0.534
	130	22	1.1	0.6	—	56 500	56 000	5 750	5 700	—	5 300	7 100	42.0	92	123	1	0.913
	130	22	1.1	0.6	—	60 000	58 500	6 150	6 000	15.9	7 500	10 000	25.4	92	123	1	1.01
	150	28	2	1	—	103 000	89 000	10 500	9 100	—	4 800	6 700	47.9	95	140	2	1.83
	150	28	2	1	—	93 000	81 000	9 500	8 250	—	3 400	4 800	63.3	95	140	2	1.87
	150	28	2	1	—	107 000	90 500	10 900	9 250	14.7	6 700	9 500	29.7	95	140	2	2.04
	180	41	3	1.1	—	159 000	133 000	16 200	13 500	—	3 400	4 500	58.8	99	166	2.5	4.33
	180	41	3	1.1	—	146 000	122 000	14 800	12 400	—	3 000	4 000	76.1	99	166	2.5	4.42
	90	125	18	1.1	0.6	—	39 500	43 500	4 000	4 450	—	6 300	8 500	34.1	97	118	1
125		18	1.1	0.6	—	41 500	46 000	4 250	4 700	16.6	7 500	10 000	23.4	97	118	1	0.563
140		24	1.5	1	—	67 500	66 500	6 850	6 750	—	4 800	6 700	45.2	99	131	1.5	1.19
140		24	1.5	1	—	71 500	69 000	7 300	7 050	15.7	7 100	9 500	27.4	99	131	1.5	1.34
160		30	2	1	—	118 000	103 000	12 000	10 500	—	4 500	6 000	51.1	100	150	2	2.25
160		30	2	1	—	107 000	94 000	10 900	9 550	—	3 200	4 300	67.4	100	150	2	2.29
160		30	2	1	—	123 000	105 000	12 500	10 700	14.6	6 300	9 000	31.7	100	150	2	2.51
190		43	3	1.1	—	171 000	147 000	17 400	15 000	—	3 200	4 300	61.9	104	176	2.5	5.06
190		43	3	1.1	—	156 000	135 000	15 900	13 800	—	2 800	3 800	80.2	104	176	2.5	5.17
95		130	18	1.1	0.6	—	40 000	45 500	4 050	4 650	—	6 000	8 500	35.2	102	123	1
	130	18	1.1	0.6	—	42 500	48 000	4 300	4 900	16.7	7 100	10 000	24.1	102	123	1	0.591
	145	24	1.5	1	—	67 000	67 000	6 800	6 800	—	4 500	6 300	46.6	104	136	1.5	1.43
	145	24	1.5	1	—	73 500	73 000	7 500	7 450	15.9	6 700	9 000	28.1	104	136	1.5	1.42
	170	32	2.1	1.1	—	128 000	111 000	13 000	11 300	—	4 300	5 600	54.2	107	158	2	2.68
	170	32	2.1	1.1	—	116 000	101 000	11 800	10 300	—	3 000	4 000	71.6	107	158	2	2.74
	170	32	2.1	1.1	—	133 000	112 000	13 500	11 400	14.6	6 000	8 500	33.7	107	158	2	3.05
	200	45	3	1.1	—	183 000	162 000	18 600	16 600	—	3 000	4 000	65.1	109	186	2.5	5.83
	200	45	3	1.1	—	167 000	149 000	17 100	15 200	—	2 600	3 600	84.3	109	186	2.5	5.98
	100	140	20	1.1	0.6	—	47 500	51 500	4 850	5 250	—	5 600	8 000	38.0	107	133	1
140		20	1.1	0.6	—	50 000	54 000	5 100	5 550	16.5	6 700	9 000	26.1	107	133	1	0.794
150		24	1.5	1	—	68 500	70 500	6 950	7 200	—	4 500	6 000	48.1	109	141	1.5	1.48

Notes (1) For applications operating near the limiting speed, refer to Page B49.
 (2) The suffixes A, A5, B, and C represent contact angles of 30°, 25°, 40°, and 15° respectively.

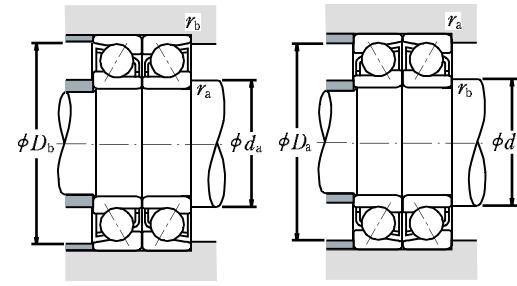
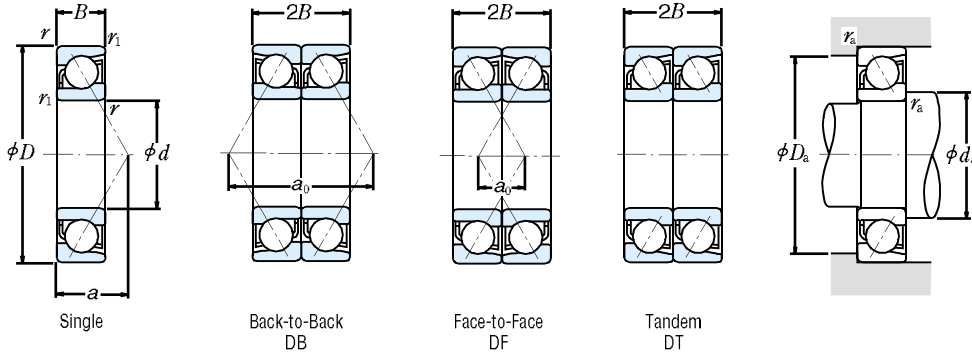
Bearing Numbers (°)	Basic Load Ratings (Matched) (N)				Limiting Speeds ⁽¹⁾ (Matched) (min ⁻¹)		Load Center Spacings (mm)		Abutment and Fillet Dimensions (mm)		
	Single	Duplex	C_r	C_{0r}	Grease	Oil	DB a_0	DF	d_b ⁽³⁾ min.	D_b max.	r_b ⁽³⁾ max.
7917 A5 DB DF DT	—	—	59 500	77 000	6 100	7 850	5 300	7 500	65.8	29.8	—
	7917 C DB DF DT	—	63 000	81 500	6 450	8 300	6 300	9 000	45.5	9.5	—
	7017 A DB DF DT	—	91 500	112 000	9 350	11 400	4 300	5 600	84.1	40.1	90
7017 C DB DF DT	—	—	98 000	117 000	9 950	12 000	6 000	8 500	50.8	6.8	—
	7217 A DB DF DT	—	167 000	178 000	17 100	18 200	3 800	5 300	95.8	39.8	91
	7217 B DB DF DT	—	151 000	162 000	15 400	16 500	2 800	3 800	126.6	70.6	91
7217 C DB DF DT	—	—	174 000	181 000	17 800	18 500	5 600	7 500	59.5	3.5	—
	7317 A DB DF DT	—	258 000	265 000	26 300	27 000	2 600	3 600	117.5	35.5	92
	7317 B DB DF DT	—	236 000	244 000	24 100	24 800	2 400	3 200	152.2	70.2	92
7918 A5 DB DF DT	—	—	64 000	87 000	6 500	8 900	5 000	7 100	68.1	32.1	—
	7918 C DB DF DT	—	67 500	92 000	6 900	9 400	6 000	8 500	46.8	10.8	—
	7918 A DB DF DT	—	109 000	133 000	11 200	13 500	3 800	5 300	90.4	42.4	96
7018 C DB DF DT	—	—	116 000	138 000	11 900	14 100	5 600	8 000	54.8	6.8	—
	7218 A DB DF DT	—	191 000	206 000	19 500	21 000	3 600	5 000	102.2	42.2	96
	7218 B DB DF DT	—	173 000	188 000	17 700	19 100	2 600	3 400	134.9	74.9	96
7218 C DB DF DT	—	—	199 000	209 000	20 300	21 400	5 300	7 100	63.5	3.5	—
	7318 A DB DF DT	—	277 000	294 000	28 300	30 000	2 600	3 400	123.8	37.8	97
	7318 B DB DF DT	—	254 000	270 000	25 900	27 600	2 200	3 000	160.5	74.5	97
7919 A5 DB DF DT	—	—	64 500	91 000	6 600	9 250	4 800	6 700	70.5	34.5	—
	7919 C DB DF DT	—	68 500	96 000	7 000	9 800	5 600	8 000	48.1	12.1	—
	7019 A DB DF DT	—	109 000	134 000	11 100	13 600	3 800	5 000	93.3	45.3	—
7901 C DB DF DT	—	—	119 000	146 000	12 200	14 900	5 300	7 500	56.1	8.1	—
	7219 A DB DF DT	—	208 000	221 000	21 200	22 600	3 400	4 500	108.5	44.5	102
	7219 B DB DF DT	—	188 000	202 000	19 200	20 500	2 400	3 200	143.2	79.2	102
7912 C DB DF DT	—	—	216 000	224 000	22 000	22 800	4 800	6 700	67.5	3.5	—
	7319 A DB DF DT	—	297 000	325 000	30 500	33 000	2 400	3 200	130.2	40.2	102
	7319 B DB DF DT	—	272 000	298 000	27 700	30 500	2 200	3 000	168.7	78.7	102
7920 A5 DB DF DT	—	—	77 000	103 000	7 850	10 500	4 500	6 300	76.0	36.0	—
	7920 C DB DF DT	—	81 500	108 000	8 300	11 100	5 300	7 500	52.2	12.2	—
	7020 A DB DF DT	—	111 000	141 000	11 300	14 400	3 600	5 000	96.2	48.2	—

Note (3) For bearings marked — in the column for d_b , D_b and r_b for shafts are d_a (min.) and r_a (max.) respectively.

ANGULAR CONTACT BALL BEARINGS

SINGLE/MATCHED MOUNTINGS

Bore Diameter 100 – 120 mm



Boundary Dimensions (mm)	Basic Load Ratings (Single) (N)				Factor f_0	Limiting Speeds ⁽¹⁾ (min ⁻¹)		Eff. Load Centers (mm) a	Abutment and Fillet Dimensions (mm)			Mass (kg) approx.				
	d	D	B	$r_{1 \text{ min.}}$		C_r	C_{0r}		Grease	Oil	$d_a \text{ min.}$		$D_a \text{ max.}$	$r_a \text{ max.}$		
100	150	24	1.5	1	75 500	77 000	7 700	7 900	16.0	6 300	9 000	28.7	109	141	1.5	1.46
	180	34	2.1	1.1	144 000	126 000	14 700	12 800	—	4 000	5 300	57.4	112	168	2	3.22
	180	34	2.1	1.1	130 000	114 000	13 300	11 700	—	2 800	3 800	75.7	112	168	2	3.28
	180	34	2.1	1.1	149 000	127 000	15 200	12 900	14.5	5 600	8 000	35.7	112	168	2	3.65
	215	47	3	1.1	207 000	193 000	21 100	19 700	—	2 800	3 800	69.0	114	201	2.5	7.29
	215	47	3	1.1	190 000	178 000	19 400	18 100	—	2 400	3 400	89.6	114	201	2.5	7.43
105	145	20	1.1	0.6	48 000	54 000	4 900	5 500	—	5 600	7 500	39.2	112	138	1	0.82
	145	20	1.1	0.6	51 000	57 000	5 200	5 800	16.6	6 300	9 000	26.7	112	138	1	0.826
	160	26	2	1	80 000	81 500	8 150	8 350	—	4 300	5 600	51.2	115	150	2	1.84
	160	26	2	1	88 000	89 500	9 000	9 100	15.9	6 000	8 500	30.7	115	150	2	1.82
	190	36	2.1	1.1	157 000	142 000	16 000	14 400	—	3 800	5 000	60.6	117	178	2	3.84
	190	36	2.1	1.1	142 000	129 000	14 500	13 100	—	2 600	3 600	79.9	117	178	2	3.92
110	190	36	2.1	1.1	162 000	143 000	16 600	14 600	14.5	5 300	7 500	37.7	117	178	2	4.33
	225	49	3	1.1	208 000	193 000	21 200	19 700	—	2 600	3 600	72.1	119	211	2.5	9.34
	225	49	3	1.1	191 000	177 000	19 400	18 100	—	2 400	3 200	93.7	119	211	2.5	9.43
	150	20	1.1	0.6	49 000	56 000	5 000	5 750	—	5 300	7 100	40.3	117	143	1	0.877
	150	20	1.1	0.6	52 000	59 500	5 300	6 050	16.7	6 300	8 500	27.4	117	143	1	0.867
	170	28	2	1	96 500	95 500	9 850	9 700	—	4 000	5 300	54.4	120	160	2	2.28
120	170	28	2	1	106 000	104 000	10 800	10 600	15.6	5 600	8 000	32.7	120	160	2	2.26
	200	38	2.1	1.1	170 000	158 000	17 300	16 100	—	3 600	4 800	63.7	122	188	2	4.49
	200	38	2.1	1.1	154 000	144 000	15 700	14 700	—	2 600	3 400	84.0	122	188	2	4.58
	200	38	2.1	1.1	176 000	160 000	17 900	16 300	14.5	5 000	7 100	39.8	122	188	2	5.1
	240	50	3	1.1	220 000	215 000	22 500	21 900	—	2 600	3 400	75.5	124	226	2.5	11.1
	240	50	3	1.1	201 000	197 000	20 500	20 100	—	2 200	3 000	98.4	124	226	2.5	11.2
120	165	22	1.1	0.6	67 500	77 000	6 900	7 850	—	4 800	6 300	44.2	127	158	1	1.15
	165	22	1.1	0.6	72 000	81 000	7 300	8 300	16.5	5 600	7 500	30.1	127	158	1	1.15
	180	28	2	1	102 000	107 000	10 400	10 900	—	3 600	5 000	57.3	130	170	2	2.45
	215	40	2.1	1.1	183 000	177 000	18 600	18 100	—	3 200	4 500	68.3	132	203	2	6.22
	215	40	2.1	1.1	165 000	162 000	16 900	16 500	—	2 400	3 200	90.3	132	203	2	6.26
	260	55	3	1.1	246 000	252 000	25 100	25 700	—	2 200	3 000	82.3	134	246	2.5	14.5
	260	55	3	1.1	225 000	231 000	23 000	23 600	—	2 000	2 800	107.2	134	246	2.5	14.4

Notes ⁽¹⁾ For applications operating near the limiting speed, refer to Page B49.
⁽²⁾ The suffixes A, A5, B, and C represent contact angles of 30°, 25°, 40°, and 15° respectively.

Dynamic Equivalent Load $P = X F_r + Y F_a$

Contact Angle	$i \frac{f_0 F_0}{C_r}$	e	Single, DT				DB or DF			
			$F_a/F_r \leq e$		$F_a/F_r > e$		$F_a/F_r \leq e$		$F_a/F_r > e$	
			X	Y	X	Y	X	Y	X	Y
15°	0.178	0.38	1	0	0.44	1.47	1	1.65	0.72	2.39
	0.357	0.40	1	0	0.44	1.40	1	1.57	0.72	2.28
	0.714	0.43	1	0	0.44	1.30	1	1.46	0.72	2.11
	1.07	0.46	1	0	0.44	1.23	1	1.38	0.72	2.00
	1.43	0.47	1	0	0.44	1.19	1	1.34	0.72	1.93
	2.14	0.50	1	0	0.44	1.12	1	1.26	0.72	1.82
	3.57	0.55	1	0	0.44	1.02	1	1.14	0.72	1.66
	5.35	0.56	1	0	0.44	1.00	1	1.12	0.72	1.63
25°	—	0.68	1	0	0.41	0.87	1	0.92	0.67	1.41
30°	—	0.80	1	0	0.39	0.76	1	0.78	0.63	1.24
40°	—	1.14	1	0	0.35	0.57	1	0.55	0.57	0.93

*For i , use 2 for DB, DF and 1 for DT

Static Equivalent Load $P_0 = X_0 F_r + Y_0 F_a$

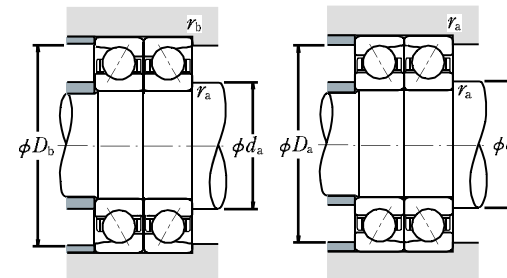
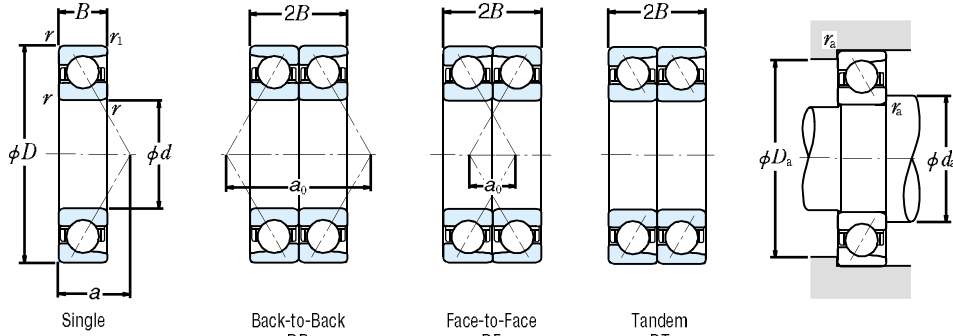
Contact Angle	Single, DT		DB or DF		Single or DT mounting when $F_a > 0.5 F_r + Y_0 F_a$ use $P_0 = F_r$
	X_0	Y_0	X_0	Y_0	
15°	0.5	0.46	1	0.92	—
25°	0.5	0.38	1	0.76	—
30°	0.5	0.33	1	0.66	—
40°	0.5	0.26	1	0.52	—

Bearing Numbers (°)	Basic Load Ratings (Matched) (N)				Limiting Speeds ⁽¹⁾ (Matched) (min ⁻¹)		Load Center Spacings (mm)		Abutment and Fillet Dimensions (mm)		
	Single	Duplex	C_r	C_{0r}	Grease	Oil	DB	DF	d_b ⁽³⁾ min.	D_b max.	r_b ⁽³⁾ max.
7020 C DB DF DT	122 000	154 000	12 500	15 800	5 300	7 100	57.5	9.5	—	144	1
7220 A DB DF DT	233 000	251 000	23 800	25 600	3 200	4 300	114.8	46.8	107	173	1
7220 B DB DF DT	212 000	229 000	21 600	23 300	2 200	3 000	151.5	83.5	107	173	1
7220 C DB DF DT	242 000	254 000	24 700	25 900	4 500	6 300	71.5	3.5	—	173	1
7320 A DB DF DT	335 000	385 000	34 500	39 500	2 200	3 000	137.9	43.9	107	208	1
7320 B DB DF DT	310 000	355 000	31 500	36 000	2 000	2 800	179.2	85.2	107	208	1
7921 A5 DB DF DT	78 500	108 000	8 000	11 000	4 300	6 000	78.3	38.3	—	140	0.6
7921 C DB DF DT	83 000	114 000	8 450	11 600	5 300	7 100	53.5	13.5	—	140	0.6
7021 A DB DF DT	130 000	163 000	13 300	16 700	3 400	4 500	102.5	50.5	—	154	1
7021 C DB DF DT	143 000	179 000	14 600	18 200	4 800	6 700	61.5	9.5	—	154	1
7221 A DB DF DT	254 000	283 000	25 900	28 900	3 000	4 000	121.2	49.2	112	183	1
7221 B DB DF DT	231 000	258 000	23 500	26 300	2 200	3 000	159.8	87.8	112	183	1
7221 C DB DF DT	264 000	286 000	26 900	29 100	4 300	6 000	75.5	3.5	—	183	1
7321 A DB DF DT	335 000	385 000	34 500	39 500	2 200	2 800	144.3	46.3	—	218	1
7321 B DB DF DT	310 000	355 000	31 500	36 000	1 900	2 600	187.4	89.4	—	218	1
7922 A5 DB DF DT	79 500	112 000	8 100	11 500	4 300	5 600	80.6	40.6	—	145	0.6
7922 C DB DF DT	84 500	119 000	8 600	12 100	5 000	6 700	54.8	14.8	—	145	0.6
7022 A DB DF DT	157 000	191 000	16 000	19 400	3 200	4 300	108.8	52.8	—	164	1
7220 C DB DF DT	172 000	208 000	17 600	21 200	4 500	6 300	65.5	9.5	—	164	1
7222 A DB DF DT	276 000	315 000	28 100	32 500	2 800	4 000	127.5	51.5	117	193	1
7222 B DB DF DT	250 000	289 000	25 500	29 400	2 000	2 800	168.1	92.1	117	193	1
7222 C DB DF DT	286 000	320 000	29 200	32 500	4 000	5 600	79.5	3.5	—	193	1
7322 A DB DF DT	360 000	430 000	36 500	44 000	2 000	2 600	151.0	51.0	—	233	1
7322 B DB DF DT	325 000	395 000	33 500	40 000	1 800	2 400	196.8	96.8	—	233	1
7924 A5 DB DF DT	110 000	154 000	11 200	15 700	3 800	5 300	88.5	44.5	—	160	0.6
7924 C DB DF DT	117 000	162 000	11 900	16 600	4 500	6 300	60.2	16.2	—	160	0.6
7024 A DB DF DT	166 000	213 000	16 900	21 700	3 000	4 000	114.6	58.6	—	174	1
7224 A DB DF DT	297 000	355 000	30 500	36 000	2 600	3 600	136.7	56.7	—	208	1
7224 B DB DF DT	269 000	325 000	27 400	33 000	1 900	2 600	180.5	100.5			

ANGULAR CONTACT BALL BEARINGS

SINGLE/MATCHED MOUNTINGS

Bore Diameter 130 – 170 mm



Dynamic Equivalent Load $P = X F_r + Y F_a$

Contact Angle	$i \frac{F_a}{F_r} \frac{L_1}{L_2} \frac{C_{or}}{C_r}$	e	Single, DT				DB or DF			
			$F_a/F_r \leq e$		$F_a/F_r > e$		$F_a/F_r \leq e$		$F_a/F_r > e$	
			X	Y	X	Y	X	Y	X	Y
15°	0.178	0.38	1	0	0.44	1.47	1	1.65	0.72	2.39
	0.357	0.40	1	0	0.44	1.40	1	1.57	0.72	2.28
	0.714	0.43	1	0	0.44	1.30	1	1.46	0.72	2.11
	1.07	0.46	1	0	0.44	1.23	1	1.38	0.72	2.00
	1.43	0.47	1	0	0.44	1.19	1	1.34	0.72	1.93
	2.14	0.50	1	0	0.44	1.12	1	1.26	0.72	1.82
	3.57	0.55	1	0	0.44	1.02	1	1.14	0.72	1.66
	5.35	0.56	1	0	0.44	1.00	1	1.12	0.72	1.63
25°	—	0.68	1	0	0.41	0.87	1	0.92	0.67	1.41
30°	—	0.80	1	0	0.39	0.76	1	0.78	0.63	1.24
40°	—	1.14	1	0	0.35	0.57	1	0.55	0.57	0.93

*For i , use 2 for DB, DF and 1 for DT

Static Equivalent Load $P_0 = X_0 F_r + Y_0 F_a$

Contact Angle	Single, DT		DB or DF		Single or DT mounting when $F_a > 0.5 F_r + Y_0 F_a$ use $P_0 = F_r$
	X_0	Y_0	X_0	Y_0	
15°	0.5	0.46	1	0.92	
25°	0.5	0.38	1	0.76	
30°	0.5	0.33	1	0.66	
40°	0.5	0.26	1	0.52	

Boundary Dimensions (mm)	Basic Load Ratings (Single) (kgf)				Factor	Limiting Speeds (1) (min ⁻¹)		Eff. Load Centers (mm) a	Abutment and Fillet Dimensions (mm)			Mass (kg) approx.
	d	D	B	r min.		C _r	C _{0r}		Grease	Oil	d _a min.	
130	180	24	1.5	1	—	4 300	6 000	48.1	139	171	1.5	1.54
	180	24	1.5	1	16.5	5 000	7 100	32.8	139	171	1.5	1.5
	200	33	2	1	—	3 400	4 500	64.1	140	190	2	3.68
230	40	3	1.1	—	—	2 400	3 200	72.0	144	216	2.5	7.06
	230	40	3	1.1	—	2 200	3 000	95.5	144	216	2.5	7.1
	280	58	4	1.5	—	2 200	2 800	88.2	148	262	3	17.5
	280	58	4	1.5	—	1 900	2 600	115.0	148	262	3	17.6
	280	58	4	1.5	—	—	—	—	—	—	—	—
140	190	24	1.5	1	—	4 000	5 600	50.5	149	181	1.5	1.63
	190	24	1.5	1	16.7	4 800	6 700	34.1	149	181	1.5	1.63
	210	33	2	1	—	3 200	4 300	67.0	150	200	2	3.9
	250	42	3	1.1	—	2 200	3 000	77.3	154	236	2.5	8.92
	250	42	3	1.1	—	2 000	2 800	102.8	154	236	2.5	8.94
150	300	62	4	1.5	—	2 000	2 600	94.5	158	282	3	21.4
	300	62	4	1.5	—	1 700	2 400	123.3	158	282	3	21.6
	210	28	2	1	—	3 800	5 000	56.0	160	200	2	2.97
	210	28	2	1	16.6	4 300	6 000	38.1	160	200	2	2.96
	225	35	2	1.1	—	2 400	3 000	71.6	162	213	2	4.75
270	45	3	1.1	—	—	2 000	2 800	83.1	164	256	2.5	11.2
	270	45	3	1.1	—	1 800	2 600	110.6	164	256	2.5	11.2
	320	65	4	1.5	—	1 800	2 400	100.3	168	302	3	21.4
	320	65	4	1.5	—	1 600	2 200	131.1	168	302	3	25.9
	320	65	4	1.5	—	—	—	—	—	—	—	—
160	220	28	2	1	16.7	3 800	5 000	39.4	170	210	2	3.1
	240	38	2	1.1	—	2 200	2 800	76.7	172	228	2	5.77
	290	48	3	1.1	—	1 900	2 600	89.0	174	276	2.5	14.1
	290	48	3	1.1	—	1 700	2 400	118.4	174	276	2.5	14.2
	340	68	4	1.5	—	1 700	2 200	106.2	178	322	3	30.7
170	340	68	4	1.5	—	1 500	2 000	138.9	178	322	3	30.8
	230	28	2	1	16.8	3 600	4 800	40.8	180	220	2	3.36
	260	42	2	1.1	—	2 000	2 600	83.1	182	248	2	7.9
	310	52	4	1.5	—	1 800	2 400	95.3	188	292	3	17.3
	310	52	4	1.5	—	1 600	2 200	126.7	188	292	3	17.6
360	72	4	1.5	—	1 600	2 200	112.5	188	342	3	35.8	
360	72	4	1.5	—	1 400	2 000	147.2	188	342	3	35.6	

Bearing Numbers (°)	Basic Load Ratings (Matched) (kgf)				Limiting Speeds (1) (Matched) (min ⁻¹)		Load Center Spacings (mm)		Abutment and Fillet Dimensions (mm)		
	Single	Duplex	C _r	C _{0r}	Grease	Oil	DB	DF	d _b (3) min.	D _b max.	r _b (3) max.
7926 A5 DB DF DT	—	—	120 000	172 000	3 400	4 800	96.3	48.3	—	174	1
	—	—	128 000	182 000	4 000	5 600	65.5	17.5	—	174	1
	—	—	191 000	251 000	2 600	3 600	128.3	62.3	—	194	1
7226 A DB DF DT	—	—	310 000	385 000	1 900	2 600	143.9	63.9	—	223	1
	—	—	278 000	350 000	1 700	2 400	191.0	111.0	—	223	1
	—	—	445 000	585 000	1 700	2 200	176.3	60.3	—	271	1.5
	—	—	405 000	535 000	1 500	2 000	230.0	114.0	—	271	1.5
	—	—	—	—	—	—	—	—	—	—	—
7928 A5 DB DF DT	—	—	122 000	180 000	3 200	4 500	100.9	52.9	—	184	1
	—	—	129 000	191 000	3 800	5 300	68.2	20.2	—	184	1
	—	—	194 000	265 000	2 600	3 400	134.0	68.0	—	204	1
7228 A DB DF DT	—	—	355 000	470 000	1 800	2 400	154.6	70.6	—	243	1
	—	—	320 000	425 000	1 600	2 200	205.6	121.6	—	243	1
	—	—	490 000	670 000	1 600	2 000	189.0	65.0	—	291	1.5
	—	—	445 000	615 000	1 400	1 900	246.6	122.6	—	291	1.5
	—	—	—	—	—	—	—	—	—	—	—
7930 A5 DB DF DT	—	—	157 000	231 000	3 000	4 000	112.0	56.0	—	204	1
	—	—	166 000	244 000	3 600	4 800	76.2	20.2	—	204	1
	—	—	222 000	305 000	1 900	2 400	143.3	73.3	—	218	1
7230 A DB DF DT	—	—	405 000	560 000	1 600	2 200	166.3	76.3	—	263	1
	—	—	365 000	510 000	1 500	2 000	221.2	131.2	—	263	1
	—	—	515 000	745 000	1 500	1 900	200.7	70.7	—	311	1.5
	—	—	470 000	680 000	1 300	1 800	262.2	132.2	—	311	1.5
	—	—	—	—	—	—	—	—	—	—	—
7932 C DB DF DT	—	—	173 000	265 000	3 000	4 000	78.9	22.9	—	214	1
	—	—	252 000	355 000	1 700	2 400	153.5	77.5	—	233	1
	—	—	425 000	615 000	1 500	2 000	177.9	81.9	—	283	1
7232 B DB DF DT	—	—	385 000	555 000	1 400	1 900	236.8	140.8	—	283	1
	—	—	565 000	845 000	1 400	1 800	212.3	76.3	—	331	1.5
	—	—	515 000	770 000	1 200	1 700	277.8	141.8	—	331	1.5
7934 C DB DF DT	—	—	183 000	297 000	2 800	3 800	81.6	25.6	—	224	1
	—	—	300 000	430 000	1 600	2 200	166.1	82.1	—	253	1
	—	—	480 000	715 000	1 400	1 900	190.6	86.6	—	301	1.5
7234 B DB DF DT	—	—	435 000	650 000	1 300	1 700	253.4	149.4	—	301	1.5
	—	—	630 000	970 000	1 300	1 700	225.0	81.0	—	351	1.5
	—	—	575 000	890 000	1 100	1 600	294.3	150.3	—	351	1.5
	—	—	—	—	—	—	—	—	—	—	—
	—	—	—	—	—	—	—	—	—	—	—

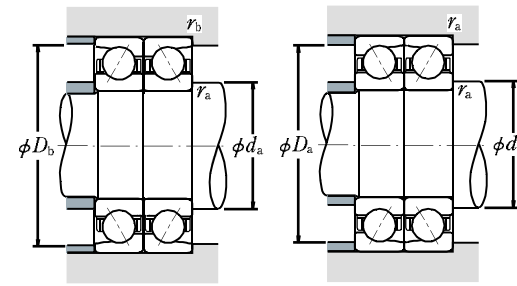
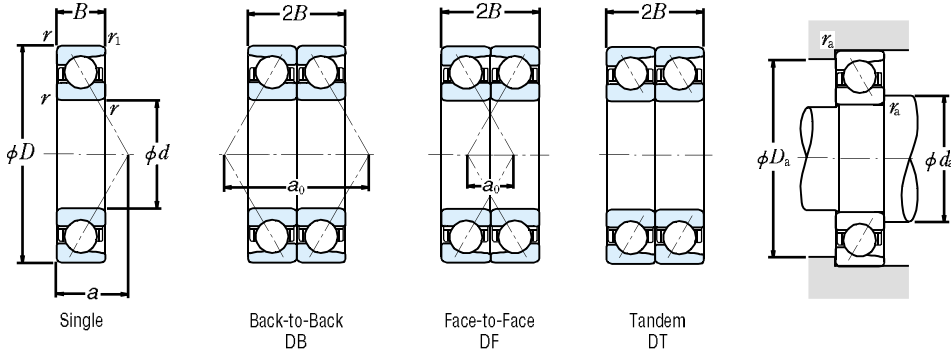
Notes (1) For applications operating near the limiting speed, refer to Page B49.
 (2) The suffixes A, A5, B, and C represent contact angles of 30°, 25°, 40°, and 15° respectively.

Note (3) For bearings marked — in the column for d_b, D_b and r_b for shafts are d_a (min.) and r_a (max.) respectively.

ANGULAR CONTACT BALL BEARINGS

SINGLE/MATCHED MOUNTINGS

Bore Diameter 180 – 200 mm



	Boundary Dimensions (mm)				Basic Load Ratings (Single) (kgf)				Factor	Limiting Speeds ⁽¹⁾ (min ⁻¹)		Eff. Load Centers (mm) a	Abutment and Fillet Dimensions (mm)			Mass (kg) approx.
	d	D	B	r min.	r1 min.	C _r	C _{0r}	C _r		C _{0r}	f ₀		Grease	Oil	d _a min.	
180	250	33	2	1	145 000	184 000	14 800	18 800	16.6	3 200	4 500	45.3	190	240	2	4.9
	280	46	2.1	1.1	207 000	252 000	21 100	25 700	—	1 900	2 400	89.4	192	268	2	10.5
	320	52	4	1.5	305 000	385 000	31 000	39 000	—	1 700	2 200	98.2	198	302	3	18.1
	320	52	4	1.5	276 000	350 000	28 100	35 500	—	1 500	2 000	130.9	198	302	3	18.4
	380	75	4	1.5	410 000	535 000	41 500	54 500	—	1 500	2 000	118.3	198	362	3	42.1
	380	75	4	1.5	375 000	490 000	38 000	50 000	—	1 300	1 800	155.0	198	362	3	42.6
190	260	33	2	1	147 000	192 000	15 000	19 600	16.7	3 000	4 300	46.6	200	250	2	4.98
	290	46	2.1	1.1	224 000	280 000	22 800	28 600	—	1 800	2 400	92.3	202	278	2	11.3
	340	55	4	1.5	315 000	410 000	32 000	42 000	—	1 600	2 200	104.0	208	322	3	22.4
	340	55	4	1.5	284 000	375 000	28 900	38 000	—	1 400	2 000	138.7	208	322	3	22.5
	400	78	5	2	450 000	600 000	46 000	61 000	—	1 400	1 900	124.2	212	378	4	47.5
	400	78	5	2	410 000	550 000	42 000	56 000	—	1 300	1 700	162.8	212	378	4	47.2
200	280	38	2.1	1.1	189 000	244 000	19 300	24 900	16.5	2 800	4 000	51.2	212	268	2	6.85
	310	51	2.1	1.1	240 000	310 000	24 500	31 500	—	1 700	2 200	99.1	212	298	2	13.7
	360	58	4	1.5	335 000	450 000	34 500	46 000	—	1 500	2 000	109.8	218	342	3	26.5
	360	58	4	1.5	305 000	410 000	31 000	41 500	—	1 300	1 800	146.5	218	342	3	26.6
	420	80	5	2	475 000	660 000	48 500	67 000	—	1 300	1 800	129.5	222	398	4	54.4
	420	80	5	2	430 000	600 000	44 000	61 500	—	1 200	1 600	170.1	222	398	4	55.3

Notes (1) For applications operating near the limiting speed, refer to Page B49.
 (2) The suffixes A, A5, B, and C represent contact angles of 30°, 25°, 40°, and 15° respectively.

Dynamic Equivalent Load $P = X F_r + Y F_a$

Contact Angle	$i \frac{f_0 F_a}{C_{0r}}$	e	Single, DT				DB or DF			
			$F_a/F_r \leq e$		$F_a/F_r > e$		$F_a/F_r \leq e$		$F_a/F_r > e$	
			X	Y	X	Y	X	Y	X	Y
15°	0.178	0.38	1	0	0.44	1.47	1	1.65	0.72	2.39
	0.357	0.40	1	0	0.44	1.40	1	1.57	0.72	2.28
	0.714	0.43	1	0	0.44	1.30	1	1.46	0.72	2.11
	1.07	0.46	1	0	0.44	1.23	1	1.38	0.72	2.00
	1.43	0.47	1	0	0.44	1.19	1	1.34	0.72	1.93
	2.14	0.50	1	0	0.44	1.12	1	1.26	0.72	1.82
	3.57	0.55	1	0	0.44	1.02	1	1.14	0.72	1.66
	5.35	0.56	1	0	0.44	1.00	1	1.12	0.72	1.63
25°	—	0.68	1	0	0.41	0.87	1	0.92	0.67	1.41
30°	—	0.80	1	0	0.39	0.76	1	0.78	0.63	1.24
40°	—	1.14	1	0	0.35	0.57	1	0.55	0.57	0.93

*For *i*, use 2 for DB, DF and 1 for DT

Static Equivalent Load $P_0 = X_0 F_r + Y_0 F_a$

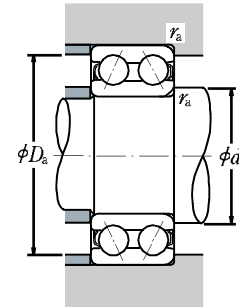
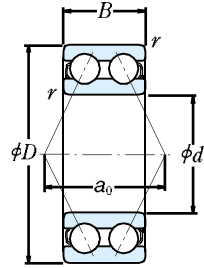
Contact Angle	Single, DT		DB or DF		Single or DT mounting when $F_a > 0.5 F_r + Y_0 F_a$ use $P_0 = F_r$
	X ₀	Y ₀	X ₀	Y ₀	
15°	0.5	0.46	1	0.92	
25°	0.5	0.38	1	0.76	
30°	0.5	0.33	1	0.66	
40°	0.5	0.26	1	0.52	

Bearing Numbers (°)	Basic Load Ratings (Matched) (kgf)				Limiting Speeds ⁽¹⁾ (Matched) (min ⁻¹)		Load Center Spacings (mm)		Abutment and Fillet Dimensions (mm)		
	Single	Duplex	C _r	C _{0r}	C _r	C _{0r}	DB	DF	d _b ⁽³⁾ min.	D _b max.	r _b ⁽³⁾ max.
7936 C DB DF DT	—	—	236 000	370 000	2 600	3 600	90.6	24.6	—	244	1
7036 A DB DF DT	—	—	335 000	505 000	1 500	2 000	178.8	86.8	—	273	1
7326 A DB DF DT	—	—	495 000	770 000	1 400	1 800	196.3	92.3	—	311	1.5
7326 B DB DF DT	—	—	450 000	700 000	1 200	1 700	261.8	157.8	—	311	1.5
7336 A DB DF DT	—	—	665 000	1 070 000	1 200	1 600	236.6	86.6	—	371	1.5
7336 B DB DF DT	—	—	605 000	975 000	1 100	1 500	309.9	159.9	—	371	1.5
7938 C DB DF DT	—	—	239 000	385 000	2 400	3 400	93.3	27.3	—	254	1
7038 A DB DF DT	—	—	365 000	560 000	1 400	1 900	184.6	92.6	—	283	1
7328 A DB DF DT	—	—	510 000	825 000	1 300	1 700	208.0	98.0	—	331	1.5
7238 B DB DF DT	—	—	460 000	750 000	1 100	1 600	277.3	167.3	—	331	1.5
7338 A DB DF DT	—	—	730 000	1 200 000	1 100	1 500	248.3	92.3	—	390	2
7338 B DB DF DT	—	—	670 000	1 100 000	1 000	1 400	325.5	169.5	—	390	2
7940 C DB DF DT	—	—	305 000	490 000	2 200	3 200	102.3	26.3	—	273	1
7040 A DB DF DT	—	—	390 000	620 000	1 300	1 800	198.2	96.2	—	303	1
7240 A DB DF DT	—	—	550 000	900 000	1 200	1 600	219.6	103.6	—	351	1.5
7240 B DB DF DT	—	—	495 000	815 000	1 100	1 500	292.9	176.9	—	351	1.5
7340 A DB DF DT	—	—	770 000	1 320 000	1 100	1 400	259.0	99.0	—	410	2
7340 B DB DF DT	—	—	700 000	1 200 000	950	1 300	340.1	180.1	—	410	2

Note (3) For bearings marked — in the column for d_b, D_b and r_b for shafts are d_a (min.) and r_a (max.) respectively.

DOUBLE-ROW ANGULAR CONTACT BALL BEARINGS

Bore Diameter 10 – 85 mm



Dynamic Equivalent Load

$$P = XF_r + YF_a$$

$F_a/F_r \leq e$		$F_a/F_r > e$		e
X	Y	X	Y	
1	0.92	0.67	1.41	0.68

Static Equivalent Load

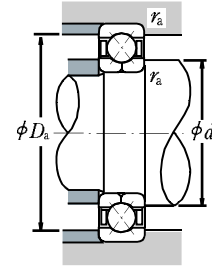
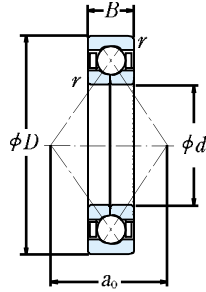
$$P_0 = F_r + 0.76 F_a$$

Boundary Dimensions (mm)				Basic Load Ratings				Limiting Speeds		Bearing Numbers
d	D	B	$r_{min.}$	C_r (N)	C_{0r} (kgf)	C_r (kgf)	C_{0r} (kgf)	Grease	Oil	
10	30	14.3	0.6	7 150	3 900	730	400	17 000	22 000	5200
12	32	15.9	0.6	10 500	5 800	1 070	590	15 000	20 000	5201
15	35	15.9	0.6	11 700	7 050	1 190	715	13 000	17 000	5202
	42	19	1	17 600	10 200	1 800	1 040	11 000	15 000	5302
17	40	17.5	0.6	14 600	9 050	1 490	920	11 000	15 000	5203
	47	22.2	1	21 000	12 600	2 140	1 280	10 000	13 000	5303
20	47	20.6	1	19 600	12 400	2 000	1 270	10 000	13 000	5204
	52	22.2	1.1	24 600	15 000	2 510	1 530	9 000	12 000	5304
25	52	20.6	1	21 300	14 700	2 170	1 500	8 500	11 000	5205
	62	25.4	1.1	32 500	20 700	3 350	2 110	7 500	10 000	5305
30	62	23.8	1	29 600	21 100	3 000	2 150	7 100	9 500	5206
	72	30.2	1.1	40 500	28 100	4 150	2 870	6 300	8 500	5306
35	72	27	1.1	39 000	28 700	4 000	2 920	6 300	8 000	5207
	80	34.9	1.5	51 000	36 000	5 200	3 700	5 600	7 500	5307
40	80	30.2	1.1	44 000	33 500	4 500	3 400	5 600	7 100	5208
	90	36.5	1.5	56 500	41 000	5 800	4 200	5 300	6 700	5308
45	85	30.2	1.1	49 500	38 000	5 050	3 900	5 000	6 700	5209
	100	39.7	1.5	68 500	51 000	7 000	5 200	4 500	6 000	5309
50	90	30.2	1.1	53 000	43 500	5 400	4 400	4 800	6 000	5210
	110	44.4	2	81 500	61 500	8 300	6 250	4 300	5 600	5310
55	100	33.3	1.5	56 000	49 000	5 700	5 000	4 300	5 600	5211
	120	49.2	2	95 000	73 000	9 700	7 450	3 800	5 000	5311
60	110	36.5	1.5	69 000	62 000	7 050	6 300	3 800	5 000	5212
	130	54	2.1	125 000	98 500	12 800	10 000	3 400	4 500	5312
65	120	38.1	1.5	76 500	69 000	7 800	7 050	3 600	4 500	5213
	140	58.7	2.1	142 000	113 000	14 500	11 500	3 200	4 300	5313
70	125	39.7	1.5	94 000	82 000	9 600	8 400	3 400	4 500	5214
	150	63.5	2.1	159 000	128 000	16 200	13 100	3 000	3 800	5314
75	130	41.3	1.5	93 500	83 000	9 550	8 500	3 200	4 300	5215
	140	44.4	2	99 000	93 000	10 100	9 500	3 000	3 800	5216
85	150	49.2	2	116 000	110 000	11 800	11 200	2 800	3 600	5217

Load Center Spacings (mm)	Abutment and Fillet Dimensions (mm)			Mass (kg)
	a_0	d_a min.	D_a max.	
				approx.
14.5	15	25	0.6	0.050
16.7	17	27	0.6	0.060
18.3	20	30	0.6	0.070
22.0	21	36	1	0.11
20.8	22	35	0.6	0.090
25.0	23	41	1	0.14
24.3	26	41	1	0.12
26.7	27	45	1	0.23
26.8	31	46	1	0.19
31.8	32	55	1	0.34
31.6	36	56	1	0.29
36.5	37	65	1	0.51
36.6	42	65	1	0.43
41.6	44	71	1.5	0.79
41.5	47	73	1	0.57
45.5	49	81	1.5	1.05
43.4	52	78	1	0.62
50.6	54	91	1.5	1.4
45.9	57	83	1	0.67
55.6	60	100	2	1.95
50.1	64	91	1.5	0.96
60.6	65	110	2	2.3
56.5	69	101	1.5	1.35
69.2	72	118	2	3.15
59.7	74	111	1.5	1.65
72.8	77	128	2	3.85
63.8	79	116	1.5	1.8
78.3	82	138	2	4.9
66.1	84	121	1.5	1.9
69.6	90	130	2	2.5
75.3	95	140	2	3.4

FOUR-POINT CONTACT BALL BEARINGS

Bore Diameter 30 – 95 mm



Dynamic Equivalent Load
 $F_a = F_a$

Static Equivalent Load
 $F_{0a} = F_a$

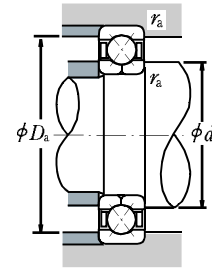
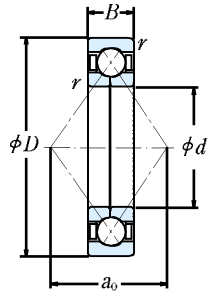
Boundary Dimensions (mm)				Basic Load Ratings				Limiting Speeds	
<i>d</i>	<i>D</i>	<i>B</i>	<i>r</i> min.	(N)		(kgf)		(min ⁻¹)	
				<i>C_a</i>	<i>C_{0a}</i>	<i>C_a</i>	<i>C_{0a}</i>	Grease	Oil
30	62	16	1	31 000	45 000	3 150	4 600	8 500	12 000
	72	19	1.1	46 000	63 000	4 700	6 450	8 000	11 000
35	72	17	1.1	41 000	61 500	4 200	6 250	7 500	10 000
	80	21	1.5	55 000	80 000	5 600	8 150	7 100	9 500
40	80	18	1.1	49 000	77 500	5 000	7 900	6 700	9 000
	90	23	1.5	67 000	100 000	6 850	10 200	6 300	8 500
45	85	19	1.1	55 000	88 500	5 600	9 000	6 300	8 500
	100	25	1.5	87 500	133 000	8 900	13 500	5 600	7 500
50	90	20	1.1	57 000	97 000	5 850	9 900	5 600	8 000
	110	27	2	102 000	159 000	10 400	16 200	5 000	6 700
55	100	21	1.5	71 000	122 000	7 200	12 500	5 300	7 100
	120	29	2	118 000	187 000	12 000	19 100	4 500	6 300
60	110	22	1.5	85 500	150 000	8 750	15 300	4 800	6 300
	130	31	2.1	135 000	217 000	13 800	22 200	4 300	5 600
65	120	23	1.5	97 500	179 000	9 950	18 300	4 300	6 000
	140	33	2.1	153 000	250 000	15 600	25 500	3 800	5 300
70	125	24	1.5	106 000	197 000	10 800	20 100	4 000	5 600
	150	35	2.1	172 000	285 000	17 500	29 100	3 600	5 000
75	130	25	1.5	110 000	212 000	11 200	21 700	3 800	5 300
	160	37	2.1	187 000	320 000	19 100	33 000	3 400	4 800
80	125	22	1.1	77 000	167 000	7 850	17 000	3 800	5 300
	140	26	2	124 000	236 000	12 600	24 100	3 600	5 000
85	170	39	2.1	202 000	360 000	20 600	37 000	3 200	4 300
	130	22	1.1	79 000	176 000	8 050	18 000	3 800	5 000
90	150	28	2	143 000	276 000	14 600	28 200	3 400	4 800
	180	41	3	218 000	405 000	22 300	41 000	3 000	4 000
95	140	24	1.5	94 000	208 000	9 600	21 200	3 400	4 800
	160	30	2	164 000	320 000	16 700	32 500	3 200	4 300
95	190	43	3	235 000	450 000	23 900	45 500	2 800	3 800
	145	24	1.5	96 500	220 000	9 800	22 500	3 400	4 500
95	170	32	2.1	177 000	340 000	18 000	35 000	3 000	4 000
	200	45	3	251 000	495 000	25 600	50 500	2 600	3 600

Remarks When using four-point contact ball bearings, please contact NSK.

Bearing Numbers	Load Center Spacings (mm) <i>a</i> ₀	Abutment and Fillet Dimensions (mm)			Mass (kg) approx.
		<i>d</i> _a min.	<i>D</i> _a max.	<i>r</i> _a max.	
QJ 206	32.2	36	56	1	0.24
QJ 306	35.7	37	65	1	0.42
QJ 207	37.5	42	65	1	0.35
QJ 307	40.3	44	71	1.5	0.57
QJ 208	42.0	47	73	1	0.45
QJ 308	45.5	49	81	1.5	0.78
QJ 209	45.5	52	78	1	0.52
QJ 309	50.8	54	91	1.5	1.05
QJ 210	49.0	57	83	1	0.59
QJ 310	56.0	60	100	2	1.35
QJ 211	54.3	64	91	1.5	0.77
QJ 311	61.3	65	110	2	1.75
QJ 212	59.5	69	101	1.5	0.98
QJ 312	66.5	72	118	2	2.15
QJ 213	64.8	74	111	1.5	1.2
QJ 313	71.8	77	128	2	2.7
QJ 214	68.3	79	116	1.5	1.3
QJ 314	77.0	82	138	2	3.18
QJ 215	71.8	84	121	1.5	1.5
QJ 315	82.3	87	148	2	3.9
QJ 1016	71.8	87	118	1	1.05
QJ 216	77.0	90	130	2	1.85
QJ 316	87.5	92	158	2	4.6
QJ 1017	75.3	92	123	1	1.1
QJ 217	82.3	95	140	2	2.2
QJ 317	92.8	99	166	2.5	5.34
QJ 1018	80.5	99	131	1.5	1.45
QJ 218	87.5	100	150	2	2.75
QJ 318	98.0	104	176	2.5	6.4
QJ 1019	84.0	104	136	1.5	1.5
QJ 219	92.8	107	158	2	3.35
QJ 319	103.3	109	186	2.5	7.4

FOUR-POINT CONTACT BALL BEARINGS

Bore Diameter 100 – 200 mm



Dynamic Equivalent Load
 $F_a = F_a$

Static Equivalent Load
 $F_{0a} = F_a$

Boundary Dimensions (mm)				Basic Load Ratings				Limiting Speeds (min ⁻¹)	
<i>d</i>	<i>D</i>	<i>B</i>	<i>r</i> min.	<i>C_a</i> (N)	<i>C_{0a}</i> (N)	<i>C_a</i> (kgf)	<i>C_{0a}</i> (kgf)	Grease	Oil
100	150	24	1.5	98 500	232 000	10 000	23 700	3 200	4 300
	180	34	2.1	199 000	390 000	20 300	39 500	2 800	3 800
	215	47	3	300 000	640 000	31 000	65 500	2 400	3 400
105	160	26	2	115 000	269 000	11 800	27 400	3 000	4 000
	190	36	2.1	217 000	435 000	22 100	44 500	2 600	3 600
	225	49	3	305 000	640 000	31 000	65 500	2 400	3 200
110	170	28	2	139 000	315 000	14 200	32 000	2 800	3 800
	200	38	2.1	235 000	490 000	24 000	50 000	2 600	3 400
	240	50	3	320 000	710 000	32 500	72 500	2 200	3 000
120	180	28	2	147 000	350 000	15 000	36 000	2 600	3 600
	215	40	2.1	265 000	585 000	27 000	60 000	2 400	3 200
	260	55	3	360 000	835 000	36 500	85 500	2 000	2 800
130	200	33	2	169 000	415 000	17 300	42 000	2 400	3 200
	230	40	3	274 000	635 000	28 000	65 000	2 200	3 000
	280	58	4	400 000	970 000	40 500	99 000	1 900	2 600
140	210	33	2	172 000	435 000	17 600	44 500	2 200	3 000
	250	42	3	239 000	710 000	29 900	72 500	2 000	2 800
	300	62	4	440 000	1 110 000	44 500	114 000	1 700	2 400
150	225	35	2.1	197 000	505 000	20 100	51 500	2 000	2 800
	270	45	3	315 000	785 000	32 000	80 000	1 800	2 600
	320	65	4	460 000	1 230 000	47 000	125 000	1 600	2 200
160	240	38	2.1	224 000	580 000	22 800	59 000	1 900	2 600
	290	48	3	380 000	1 010 000	39 000	103 000	1 700	2 400
	340	68	4	505 000	1 400 000	51 500	143 000	1 500	2 000
170	260	42	2.1	268 000	705 000	27 300	72 000	1 800	2 400
	310	52	4	425 000	1 180 000	43 500	121 000	1 600	2 200
	360	72	4	565 000	1 610 000	57 500	164 000	1 400	2 000
180	280	46	2.1	299 000	830 000	30 500	84 500	1 700	2 200
	320	52	4	440 000	1 270 000	45 000	130 000	1 500	2 000
	380	75	4	595 000	1 770 000	60 500	180 000	1 300	1 800
190	290	46	2.1	325 000	925 000	33 000	94 000	1 600	2 200
	340	55	4	440 000	1 290 000	44 500	131 000	1 400	2 000
	400	78	5	655 000	1 980 000	67 000	202 000	1 300	1 700
200	310	51	2.1	345 000	1 020 000	35 500	104 000	1 500	2 000
	360	58	4	490 000	1 480 000	49 500	151 000	1 300	1 800
	420	80	5	690 000	2 180 000	70 500	222 000	1 200	1 600

Remarks When using four-point contact ball bearings, please contact NSK.

Bearing Numbers	Load Center Spacings (mm) <i>a</i> ₀	Abutment and Fillet Dimensions (mm)			Mass (kg) approx.
		<i>d</i> _a min.	<i>D</i> _a max.	<i>r</i> _a max.	
QJ 1020	87.5	109	141	1.5	1.6
QJ 220	98.0	112	168	2	4.0
QJ 320	110.3	114	201	2.5	9.3
QJ 1021	92.8	115	150	2	2.0
QJ 221	103.3	117	178	2	7.4
QJ 321	115.5	119	211	2.5	10.5
QJ 1022	98.0	120	160	2	2.5
QJ 222	108.5	122	188	2	5.6
QJ 322	122.5	124	226	2.5	12.5
QJ 1024	105.0	130	170	2	2.65
QJ 224	117.3	132	203	2	6.9
QJ 324	133.0	134	246	2.5	15.4
QJ 1026	115.5	140	190	2	4.0
QJ 226	126.0	144	216	2.5	7.7
QJ 326	143.5	148	262	3	19
QJ 1028	122.5	150	200	2	4.3
QJ 228	136.5	154	236	2.5	9.8
QJ 328	154.0	158	282	3	24
QJ 1030	131.3	162	213	2	5.2
QJ 230	147.0	164	256	2.5	12
QJ 330	164.5	168	302	3	29
QJ 1032	140.0	172	228	2	4.6
QJ 232	157.5	174	276	2.5	15
QJ 332	175.1	178	322	3	31
QJ 1034	150.5	182	248	2	8.6
QJ 234	168.0	188	292	3	19.5
QJ 334	185.6	188	342	3	41
QJ 1036	161.0	192	268	2	11
QJ 236	175.1	198	302	3	20.5
QJ 336	196.1	198	362	3	48
QJ 1038	168.0	202	278	2	11.5
QJ 238	185.6	208	322	3	23
QJ 338	206.6	212	378	4	54.5
QJ 1040	178.6	212	298	2	15
QJ 240	196.1	218	342	3	27
QJ 340	217.1	222	398	4	61.5